

Seeking Global Agents



诚招全球合作伙伴

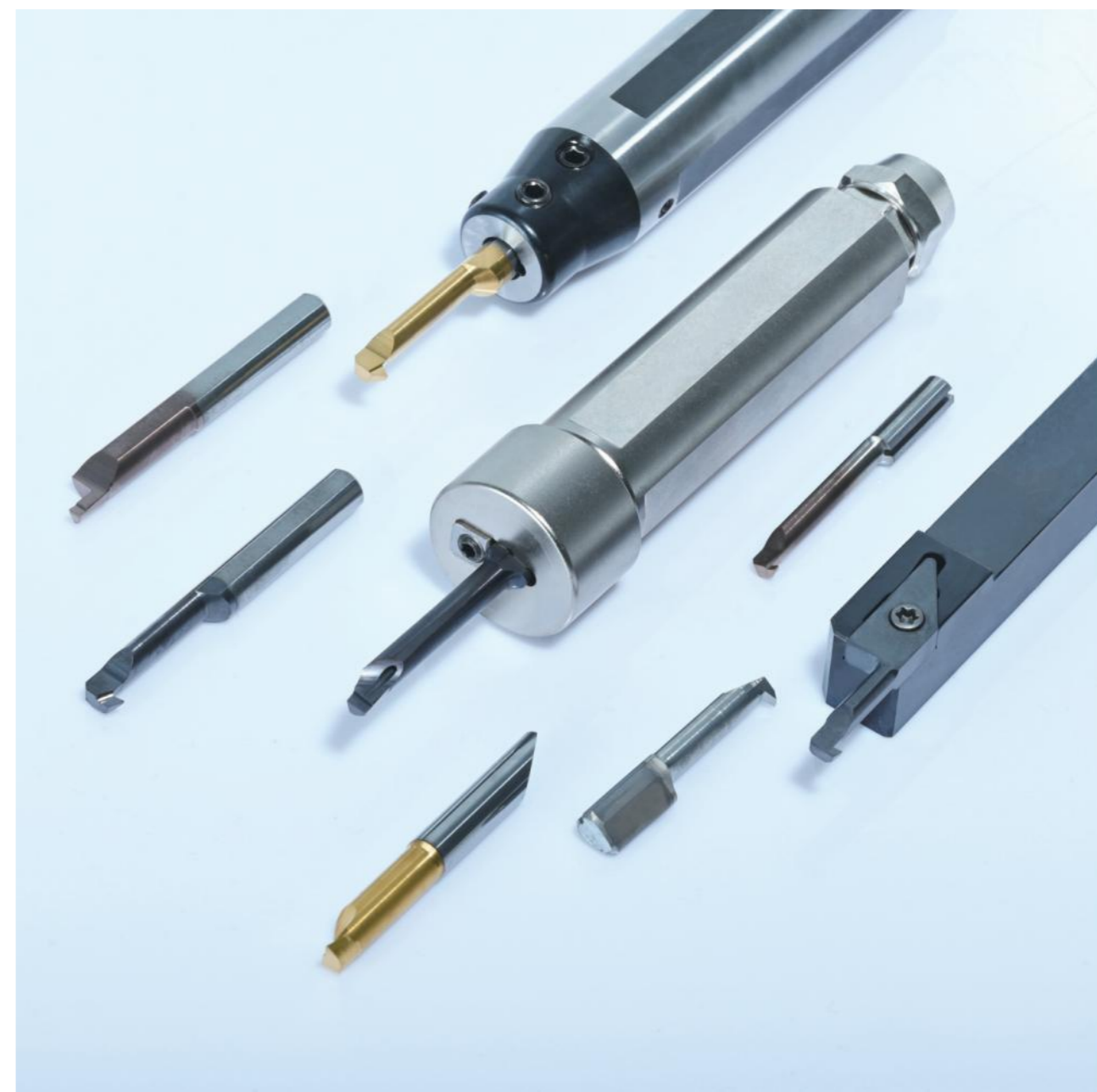
百万库存 | 方案设计 | 非标定做
In stock | Project design | Customized

专业小镗刀生产制造商
Professional Micro Boring Tool Manufacturer

2025

整体合金小径刀具

Supermini & Mini



中国小镗刀领先制造商

The leading micro tools manufacturer in China

公司简介

公司成立于2012年，自创立以来专注于内孔小径刀的研发、生产、销售、以及为客户提供专业且有效的解决方案，是目前国内各品牌稳定的供应商。十几年一直秉承着对制造业的热爱与专注，在这过程中，我们不仅积累了丰富的制造经验，更是在产品研发、技术创新方面取得了显著成果。

作为一家集生产研制、新品开发、售前咨询、售后服务于一体的综合性企业，公司始终坚持以客户为中心，不断提升产品质量和服务水平，一直致力将最优质的品质和最完美的服务提供给客户。

Company Profile

Founded in 2012, We have focused on Internal Micro Tool research and development, production, sales and providing customers with professional and effective solutions since its inception. It is a stable supplier of various brands in China. For more than ten years, we have been adhering to the love and focus on the manufacturing industry, in the process, we have not only accumulated rich manufacturing experience, but also achieved remarkable results in product research and development, technological innovation.

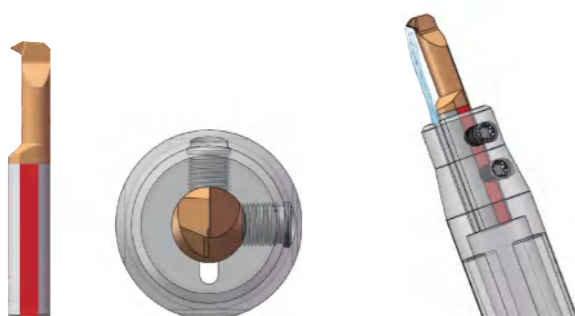
As a comprehensive enterprise integrating production and development, new product development, pre-sales consultation and after-sales service, the company always adheres to the customer-centric, improves product quality and service level continuously, and has been committed to providing customers with the best quality and the most perfect service.

目录

Catalogue

扁平定位系类

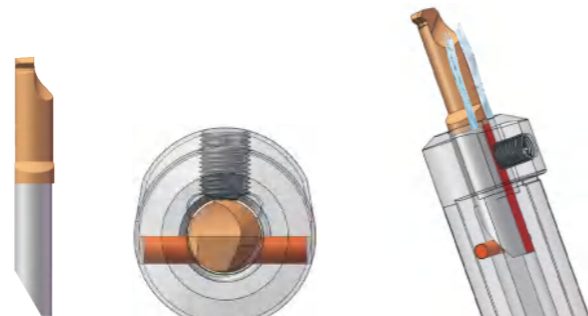
Flatten locking



A01-A30

后斜削定位系列

Ending center Pin locking



B31-B45

侧定位 带油槽出水

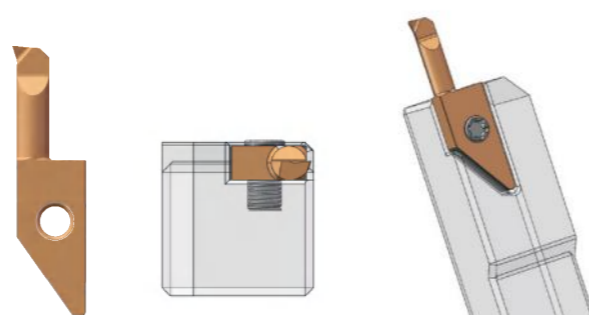
Side-locking with coolant hole



C46-C60

刀片式镗刀

Insert type Boring



D61-D67

三角定位 带油槽出水

Triangular locking with coolant hole



E68-E83

超硬系列

PCD CBN



F84-F92

车削材质选用表

Material selection table for turning

涂层牌号 Coating grade	涂层颜色 Coating colour	加工特性 Processing characteristics	用途 Purpose
T10	灰色 Grey	工况较好的精加工: 耐磨性好、抗冲击力强、光洁度好 Good working condition: Good wear resistance, Strong impact resistance, Good smoothness	不锈钢、钢件、难加工材料首选 Preferred choice for stainless steel, steel parts, and difficult to process materials 兼容铸铁、钛合金、高温合金加工 Compatible with processing of cast iron, titanium alloy, and high-temperature alloy processing
T20	黑色 Black	通用性强、耐磨性较好、光洁度较好 Strong versatility, Wear resistance, Good smoothness	不锈钢加工首选 Preferred for stainless steel processing 兼容钢件、铸铁、不锈钢加工 Compatible with steel parts, cast iron, and stainless steel processing
T30	金黄色 Auratus	抗粘性强、光洁度较好 Strong anti stickiness, Good smoothness	低线速度加工、钢件、有色金属、铝合金加工首选 First choice for low speed machining, steel parts, non-ferrous metals, and aluminum alloy machining 兼容不锈钢、铸铁加工 Compatible with stainless steel and cast iron processing
T40	古铜色 Bronze	工况较好的精加工: 耐磨性极强 Good working condition: Extremely strong wear resistance	钛合金、高硬材料加工首选 Preferred choice for titanium alloy and high hardness materials 兼容不锈钢、铸铁加工及工况较好精加工 Compatible with stainless steel, cast iron processing and finishing with good working conditions

切削参数

Cutting parameters

常用计算公式 Commonly used formula

$$\text{转速 } S \quad S = \frac{V_c * 1000}{3.14 * D_c} \quad (\text{rev/min}) \quad \text{切削速度 (线速度) } V_c \quad V_c = \frac{S * 3.14 * D_c}{1000} \quad (\text{m/min})$$

Dc: 工件直径 (Workpiece diameter)

$$\text{每分钟切削长度 } F \quad F = f * S * T \quad (\text{mm/min}) \quad \text{每齿进给量 } f \quad f = \frac{F}{S * T} \quad (\text{mm/tooth})$$

f: 每齿进给量 (Feed per tooth) T: 刀具齿数 (Number of setting teeth)

切削加工小常识

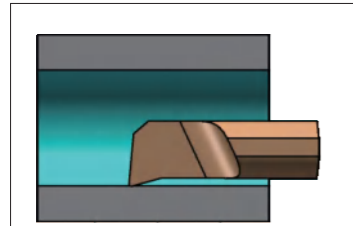
1. 半精加工及粗加工最小切削深度应该尽量大于刀尖圆角。
2. 最高的进给量应该小于刀尖圆角的一半。

Machine work common sense

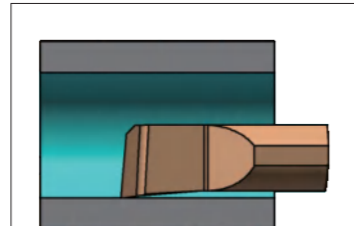
1. The minimum cutting depth should be greater than the re.
2. The highest feeding should be far less than the re.

内孔加工: Internal Machining

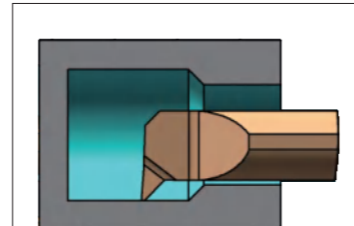
加工示意图/模拟加工: Simulated machining



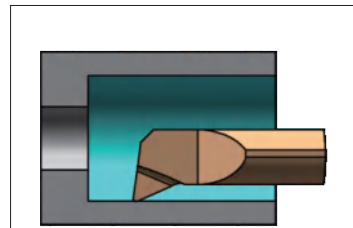
NR



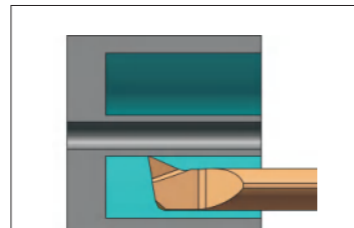
TR



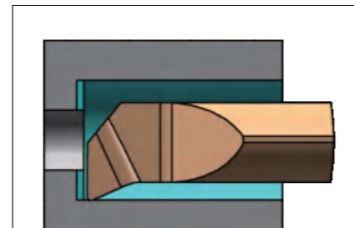
QR



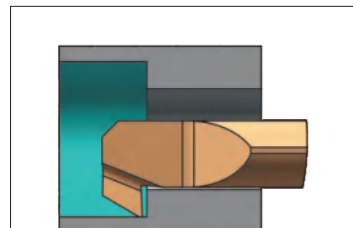
PR



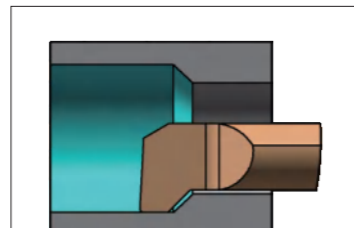
PL



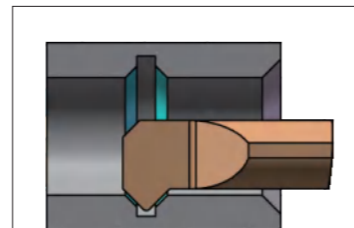
UR



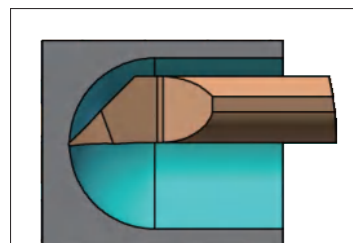
XR



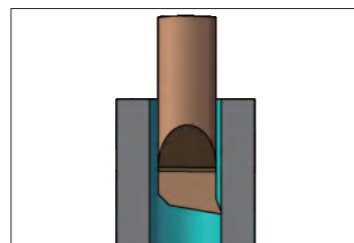
DR



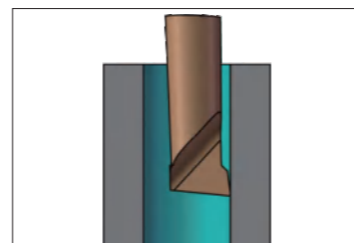
CR



AR



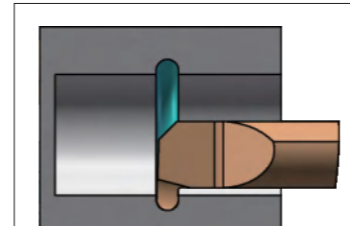
SBJ



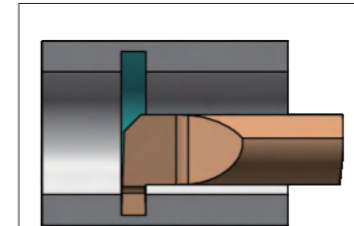
CA

内孔加工: Internal Machining

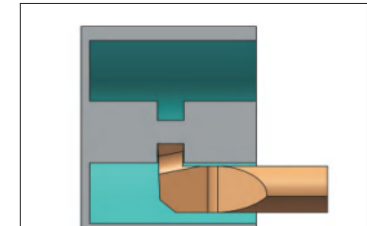
加工示意图/模拟加工: Simulated machining



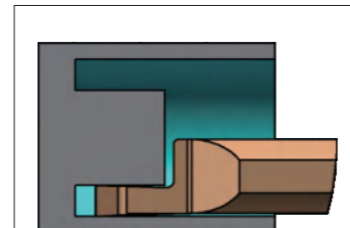
KR



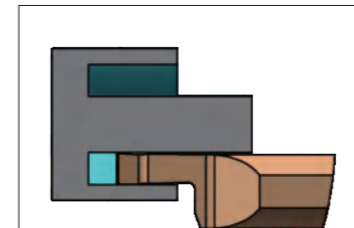
WR



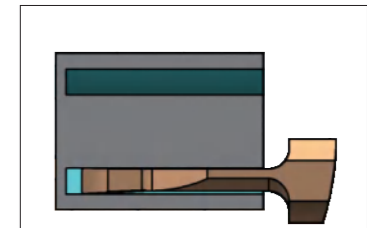
WL



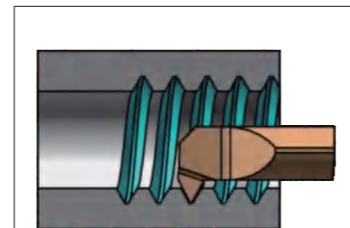
FR



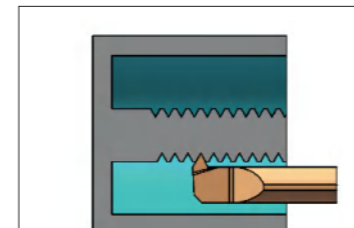
FL



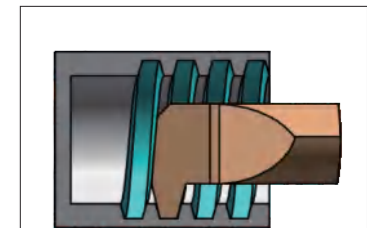
VR



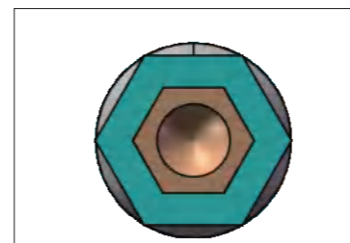
IR



IL



IR-30°



六角冲

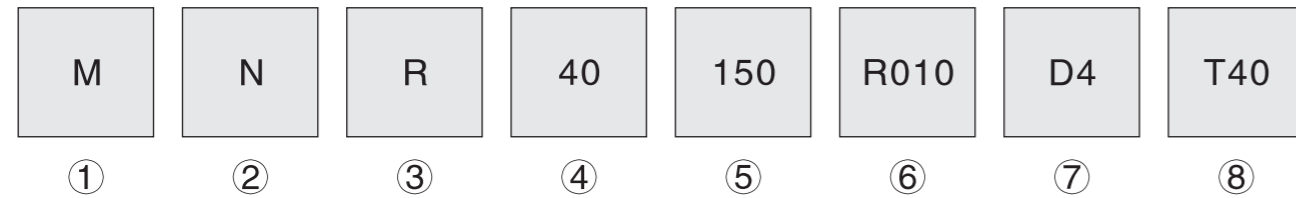


单冲



整体硬质合金内孔刀具编制规则

Code System For Solid Carbide Internal Turning Tools



① 系列 Series		④ 最小加工直径 Min.Dia		⑦ 刀具柄径 Bar Diameter	
X	扁平定位 Flatten locking	25	D2.5mm	D4	4mm
SB		40	D4.0mm	D6	6mm
G					
M					
SC	后斜削定位 Ending center Pin locking				
Y	侧定位 带油槽出水 Side-locking with coolant hole				
VNBR	刀片式镗刀 Insert type Boring				
CB	三角定位 带油槽出水 Triangular locking with coolant hole				
PCD	超硬系列 PCD CBN				
CBN					

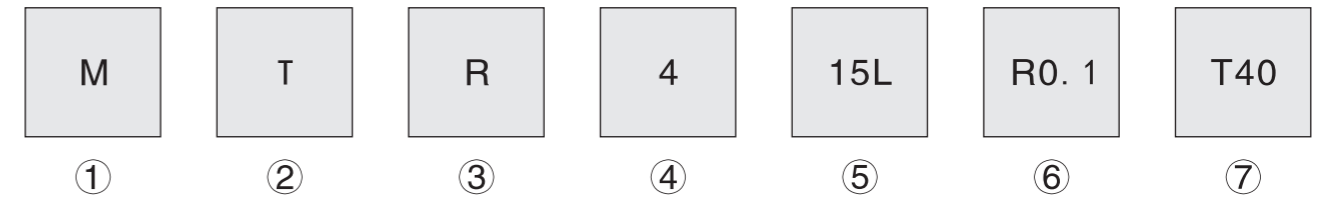
② 产品功能 Function type		⑤ 有效长度 Lenght		⑧ 涂层 Coating	
N	车削 Boring	150	15mm	T10	AlCrN
W	切槽 Grooving	200	20mm	T20	AlTiN
I	螺纹 Threading			T30	TiN
				T40	AlTiSiN

③ 切削方向 Cutting direction		⑥ 刀尖半径(mm) corner Radius		⑥ 槽宽(方槽) Width (Grooving)	
R	右刀 Right Hand	R010	0.1mm	05	0.5mm
L	左刀 Left Hand	R020	0.2mm	15	1.5mm

③ 切削方向 Cutting direction		⑥ 螺纹 Threading	
R	右刀 Right Hand	A60	部分齿形 60° Partial Profile 60°
L	左刀 Left Hand	A55	部分齿形 55° Partial Profile 55°

整体硬质合金内孔刀具编制规则

Code System For Solid Carbide Internal Turning Tools



① 系列 Series		③ 切削方向 Cutting direction		⑦ 涂层 Coating	
X	扁平定位 Flatten locking	R	右刀 Right Hand	T10	AlCrN
SB		L	左刀 Left Hand	T20	AlTiN
G					
M					
SC	后斜削定位 Ending center Pin locking				
Y	侧定位 带油槽出水 Side-locking with coolant hole				
VNBR	刀片式镗刀 Insert type Boring				
CB	三角定位 带油槽出水 Triangular locking with coolant hole				
PCD	超硬系列 PCD CBN				
CBN					

② 产品功能 Function type		④ 最小加工直径 Min.Dia	
T	车削 Boring	3	D3.0mm
P	仿形车削 Profiling and Boring	4	D4.0mm

⑤ 有效长度 Lenght	
15L	15mm
20L	20mm

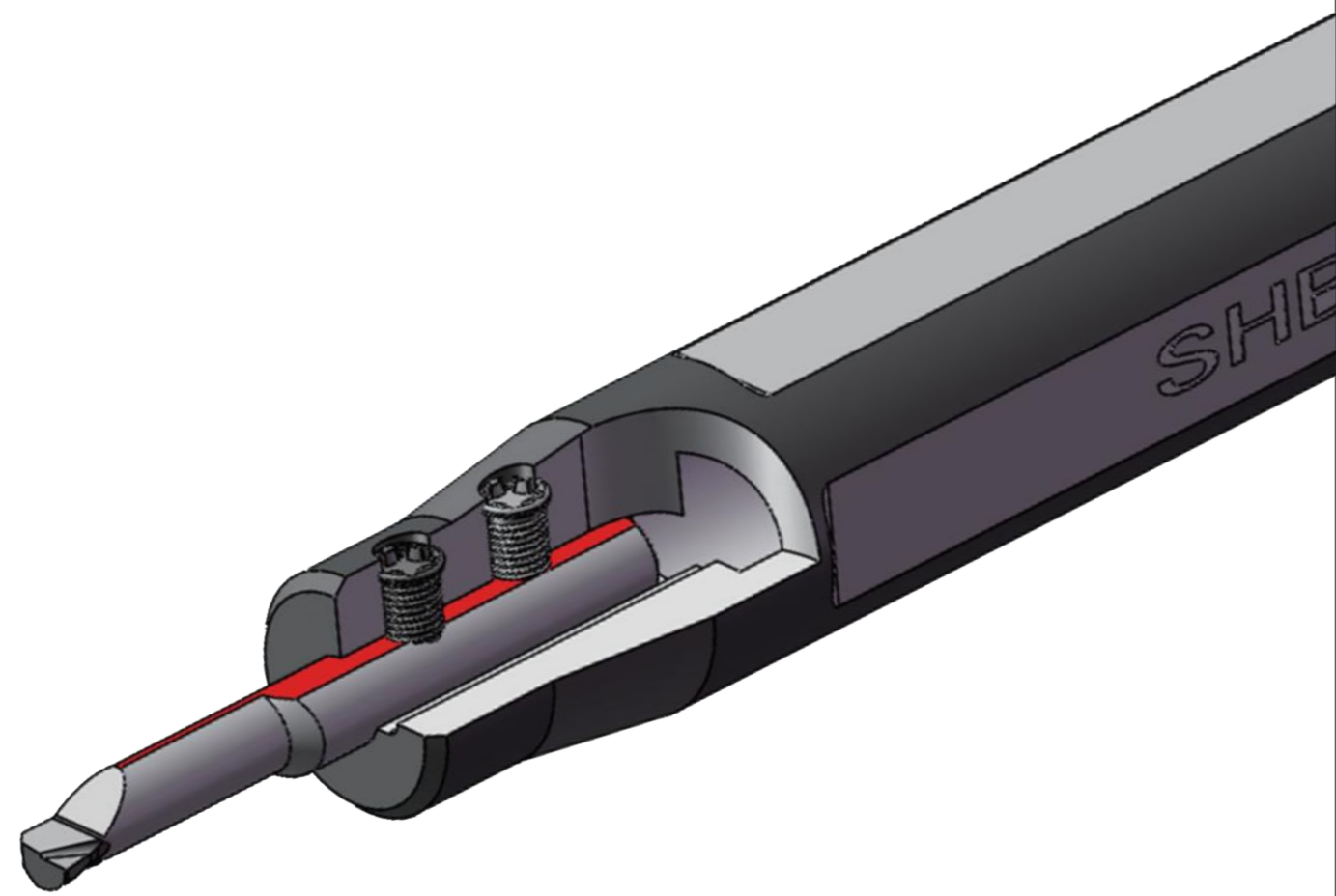
⑥ 刀尖半径(mm) corner Radius	
R010	0.1mm
R020	0.2mm

⑥ 槽宽(方槽) Width (Grooving)	
W1.5	1.5mm
W2.5	2.5mm

② 产品功能 Function type	
Q	仿形车削 Profiling and Boring
U	90° 端面仿形切削 Profiling, 90° Face Boring
X	反向镗削 Back Turning
D	内孔镗刀 倒角 切槽 Thread Relief, Chamfering and Grooving
C	内孔镗刀及倒角 Chamfering and Boring
F	端面切槽 Face Grooving
V	深端槽 Face Grooving

扁平定位系列

Flatten locking

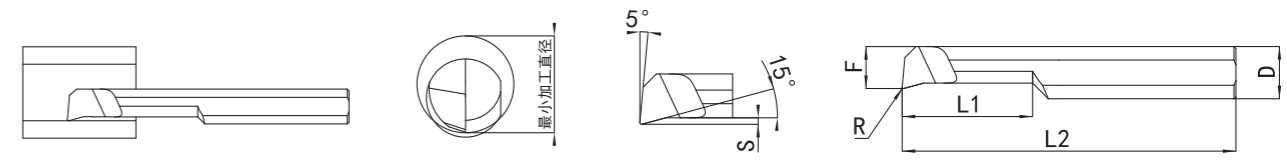


扁平定位系列

Flatten locking

SBFR

万能型 内孔车削 Boring



型号规格 Specifications	F	L1	S	R	D	L2	最小加工孔径 Min.Dia	无涂层 uncoated	T20
SBFR10030R005-D4	0.8	3	0.2	0.05	D4	40	1.0	•	•
SBFR15050R010-D4	1.2	5	0.2	0.1	D4	40	1.5	•	•
SBFR20070R010-D4	1.7	7	0.2	0.1	D4	40	2.0	•	•
SBFR25070R010-D4	2.3	7	0.4	0.1	D4	40	2.5	•	•
SBFR25120R010-D4		12						•	•
SBFR30100R010-D4	2.7	10	0.4	0.1	D4	50	3.0	•	•
SBFR30150R010-D4		15						•	•
SBFR35100R015-D4	3.2	10	0.5	0.15	D4	50	3.5	•	•
SBFR35150R015-D4		15						•	•
SBFR40100R015-D4	3.7	10	0.5	0.15	D4	50	4.0	•	•
SBFR40150R015-D4		15						•	•
SBFR40200R015-D4		20						•	•
SBFR45150R015-D4	3.98	15	0.7	0.15	D4	50	4.5	•	•
SBFR45200R015-D4		20						•	•

● 标准库存 Stock ○ 需预定 Available Upon Order
★ 定货示例: SBFR40200R015-D4 T20 Order example: SBFR40200R015-D4 T20

P	△
M	▲
K	△
N	▲
S	△
H	

单位: mm
unit: mm

P: 钢 Steel
M: 不锈钢 Stainless steel
K: 球墨铸铁 Ductile Cast Iron
N: 有色金属/铝合金 Non-ferrous metal/Al-alloys
S: 钛合金/高温合金 Titanium Alloys/High temp alloys
H: 硬材料 Hardened materials
▲ 最适合 Most Suitable
△ 适合 Suitable

产品 System	SBFR	NR	TR	2-TR	PR	PL	QR	UR	XR	AR	DR	CR
页码 Seite/Page	A01	A03	A05	A08	A09	A11	A12	A13	A14	A15	A16	A17

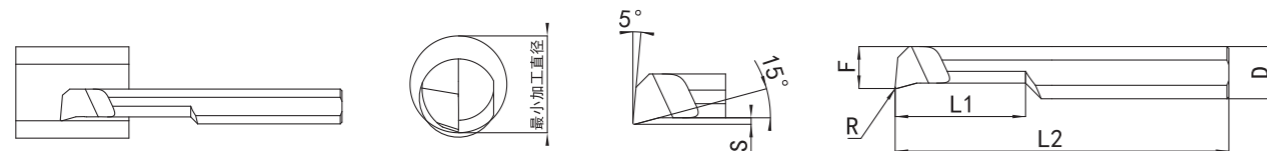
产品 System	WR	WL	KR	FR	FL	VR	IR 60°	IL 60°	IR 55°	IL 55°	IR-A30	SHB
页码 Seite/Page	A18	A20	A21	A22	A23	A24	A25	A26	A27	A28	A29	A30

扁平定位系列

Flatten locking

SBFR

万能型 内孔车削 Boring



型号规格 Specifications	F	L1	S	R	D	L2	最小加工孔径 Min.Dia	无涂层 uncoated	T20
SBFR50150R020-D6	4.7	15	0.9	0.2	D6	50	5.0	•	•
SBFR50200R020-D6		20						•	•
SBFR50250R020-D6		25				•		•	
SBFR50300R020-D6		30				•		•	
SBFR55150R020-D6	5.2	15	0.9	0.2	D6	50	5.5	•	•
SBFR55200R020-D6		20						•	•
SBFR55250R020-D6		25						•	•
SBFR60150R020-D6	5.7	15	0.9	0.2	D6	50	6.0	•	•
SBFR60200R020-D6		20						•	•
SBFR60250R020-D6		25				•		•	
SBFR60300R020-D6		30				•		•	
SBFR80250R020-D8	7.8	25	1.0	0.2	D8	50	8.0	•	•

●标准库存 Stock ○需预定 Available Upon Order

★定货示例: SBFR80250R020-D8 T20 Order example: SBFR80250R020-D8 T20

P	△
M	▲
K	△
N	▲
S	△
H	

单位: mm
unit: mm

P: 钢 Steel

M: 不锈钢 Stainless steel

K: 球墨铸铁 Ductile Cast Iron

N: 有色金属/铝合金 Non-ferrous metal/Al-alloys

S: 钛合金/高温合金 Titanium Alloys/High temp alloys

H: 硬材料 Hardened materials

▲ 最适合 Most Suitable

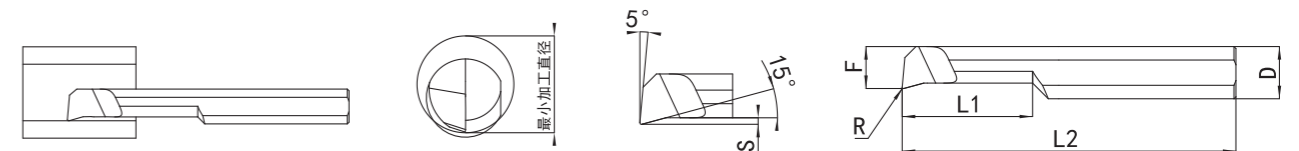
△ 适合 Suitabel

扁平定位系列

Flatten locking

NR

万能型 内孔车削 Boring



型号规格 Specifications	F	L1	S	R	D	L2	最小加工孔径 Min.Dia	无涂层 uncoated	T10	T30	T40
NR10030R005-D4	0.8	3	0.2	0.05	D4	40	1.0	•	•	•	•
NR15050R010-D4	1.2	5	0.2	0.1	D4	40	1.5	•	•	•	•
NR20070R010-D4	1.7	7	0.2	0.1	D4	40	2.0	•	•	•	•
NR25070R010-D4	2.3	7	0.4	0.1	D4	40	2.5	•	•	•	•
NR25120R010-D4		12						•	•	•	•
NR30100R010-D4	2.7	10	0.4	0.1	D4	50	3.0	•	•	•	•
NR30150R010-D4		15						•	•	•	•
NR35100R015-D4	3.2	10	0.5	0.15	D4	50	3.5	•	•	•	•
NR35150R015-D4		15						•	•	•	•
NR40100R015-D4	3.7	10	0.5	0.15	D4	50	4.0	•	•	•	•
NR40150R015-D4		15						•	•	•	•
NR40200R015-D4		20						•	•	•	•
NR45150R015-D4	3.98	15	0.7	0.15	D4	50	4.5	•	•	•	•
NR45200R015-D4		20						•	•	•	•

●标准库存 Stock ○需预定 Available Upon Order

★定货示例: XNR40200R015-D4 T10 Order example: XNR40200R015-D4 T10

P	▲	▲	△
M	▲	△	△
K	△	△	△
N	▲	△	▲
S	△		▲
H	△		▲

单位: mm
unit: mm

P: 钢 Steel

M: 不锈钢 Stainless steel

K: 球墨铸铁 Ductile Cast Iron

N: 有色金属/铝合金 Non-ferrous metal/Al-alloys

S: 钛合金/高温合金 Titanium Alloys/High temp alloys

H: 硬材料 Hardened materials

▲ 最适合 Most Suitable

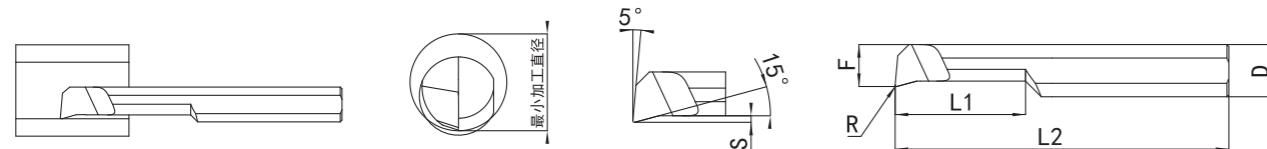
△ 适合 Suitabel

扁平定位系列

Flatten locking

NR

万能型 内孔车削 Boring



型号规格 Specifications	F	L1	S	R	D	L2	最小加工孔径 Min.Dia	无涂层 uncoated	T10 X	T30 G	T40 M
NR50150R020-D6	4.7	15	0.9	0.2	D6	50	5.0	•	•	•	•
NR50200R020-D6		20						•	•	•	•
NR50250R020-D6		25						•	•	•	•
NR50300R020-D6		30						•	○	○	○
NR55150R020-D6	5.2	15	0.9	0.2	D6	50	5.5	•	•	•	
NR55200R020-D6		20						•	•	•	•
NR55250R020-D6		25						•	•	•	•
NR60150R020-D6	5.7	15	0.9	0.2	D6	50	6.0	•	•	•	
NR60200R020-D6		20						•	•	•	•
NR60250R020-D6		25						•	•	•	•
NR60300R020-D6		30						•	○	○	○
NR80250R020-D8	7.8	25	1.0	0.2	D8	50	8.0	•	○	○	○

●标准库存 Stock ○需预定 Available Upon Order

★定货示例: XNR60200R020-D6 T10 Order example: XNR60200R020-D6 T10

P	▲	▲	△
M	▲	△	△
K	△	△	△
N	▲	△	▲
S	△		▲
H	△		▲

单位: mm
unit: mm

●标准库存 Stock ○需预定 Available Upon Order

★定货示例: SBFR40200R015-D4 T20 Order example: SBFR40200R015-D4 T20

P: 钢 Steel

M: 不锈钢 Stainless steel

K: 球墨铸铁 Ductile Cast Iron

N: 有色金属/铝合金 Non-ferrous metal/Al-alloys

S: 钛合金/高温合金 Titanium Alloys/High temp alloys

H: 硬材料 Hardened materials

▲ 最适合 Most Suitable

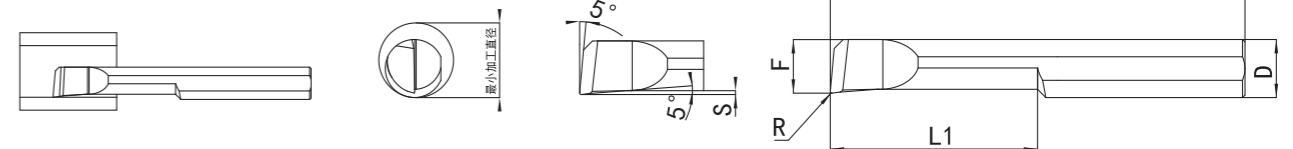
△ 适合 Suitabel

扁平定位系列

Flatten locking

TR

耐用型 内孔车削 Boring



型号规格 Specifications	F	L1	S	R	D	L2	最小加工孔径 Min.Dia	无涂层 uncoated	T10 X	T20 SB	T30 G	T40 M
TR1 4L R0	0.85	4	0.15	0	D4	40	1.0	•	•	•	•	•
TR1 4L R0.05				0.05				•	•	•	•	
TR1 4L R0.1				0.1				•	•	•	•	
TR1.5 5L R0.05	1.3	5	0.2	0.05	D4	40	1.5	•	•	•	•	
TR1.5 5L R0.1				0.1				•	•	•	•	
TR2 6L R0.05	1.8	6	0.25	0.05	D4	40	2.0	•	•	•	•	
TR2 6L R0.1				0.1				•	•	•	•	
TR2.5 7L R0.05	2.3	7	0.3	0.05	D4	40	2.5	•	•	•	•	
TR2.5 7L R0.1				0.1				•	•	•	•	
TR3 6L R0.05	2.7	6	0.3	0.05	D4	50	3.0	•	•	•	•	
TR3 6L R0.1				0.1				•	•	•	•	
TR3 6L R0.2				0.2				•	•	•	•	
TR3 10L R0.05	2.7	10	0.3	0.05	D4	50	3.0	•	•	•	•	
TR3 10L R0.1				0.1				•	•	•	•	
TR3 10L R0.2				0.2				•	•	•	•	
TR3 15L R0.1	2.7	15	0.3	0.1	D4	50	3.0	•	•	•	•	
TR3 15L R0.2				0.2				•	•	•	•	
TR3.5 12L R0.1	3.3	12	0.3	0.1	D4	50	3.5	•	•	•	•	
TR3.5 12L R0.2				0.2				•	•	•	•	

●标准库存 Stock ○需预定 Available Upon Order

★定货示例: XTR3 15L R0.2 T10 Order example: XTR3 15L R0.2 T10

P	▲	△	▲	△
M	▲	▲	△	△
K	△	△	△	△
N	▲	△	▲	
S	△	△		▲
H	△	△		▲

单位: mm
unit: mm

P: 钢 Steel

M: 不锈钢 Stainless steel

K: 球墨铸铁 Ductile Cast Iron

N: 有色金属/铝合金 Non-ferrous metal/Al-alloys

S: 钛合金/高温合金 Titanium Alloys/High temp alloys

H: 硬材料 Hardened materials

▲ 最适合 Most Suitable

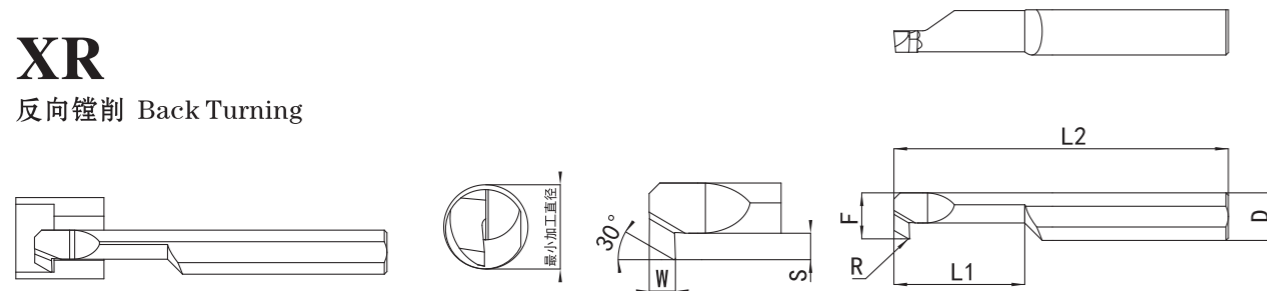
△ 适合 Suitabel

扁平定位系列

Flatten locking

XR

反向镗削 Back Turning



型号规格 Specifications	F	W	S	L1	R	D	L2	最小加工孔径 Min.Dia
XR2.5 7L R0.05	2.3	1.0	0.6	7	0.05	D4	40	2.5
XR3 7L R0.05	2.8	1.0	0.6	7	0.05	D4	40	3.0
XR4 10L R0.05	3.8	1.5	1.0	10	0.05	D4	50	4.0
XR4 10L R0.1	3.8	1.5	1.0	10	0.1	D4	50	4.0
XR5 15L R0.05	4.8	2.0	1.5	15	0.05	D5	50	5.0
XR5 15L R0.15	4.8	2.0	1.5	15	0.15	D5	50	5.0
XR6 20L R0.05	5.8	2.0	2.0	20	0.05	D6	50	6.0
XR6 20L R0.2	5.8	2.0	2.0	20	0.2	D6	50	6.0
XR8 20L R0.05	7.8	2.5	3.0	20	0.05	D8	50	8.0
XR8 20L R0.2	7.8	2.5	3.0	20	0.2	D8	50	8.0

●标准库存 Stock ○需预定 Available Upon Order

★定货示例: XXR6 20L R0.2 T10 Order example: XXR6 20L R0.2 T10

无涂层 uncoated	T10	T20	T30	T40
●	●	●	○	●
●	●	●	○	●
●	●	●	○	●
●	●	●	○	●
●	●	●	○	●
●	●	●	○	●
●	●	●	○	●
●	●	●	○	●
●	●	●	○	●
●	●	●	○	●
●	●	●	○	●
●	●	●	○	●

P	▲	△	▲	△
M	▲	▲	△	△
K	△	△	△	△
N	▲	△	▲	
S	△	△		▲
H	△	△		▲

单位: mm
unit: mm

P: 钢 Steel

M: 不锈钢 Stainless steel

K: 球墨铸铁 Ductile Cast Iron

N: 有色金属/铝合金 Non-ferrous metal/Al-alloys

S: 钛合金/高温合金 Titanium Alloys/High temp alloys

H: 硬材料 Hardened materials

▲ 最适合 Most Suitable

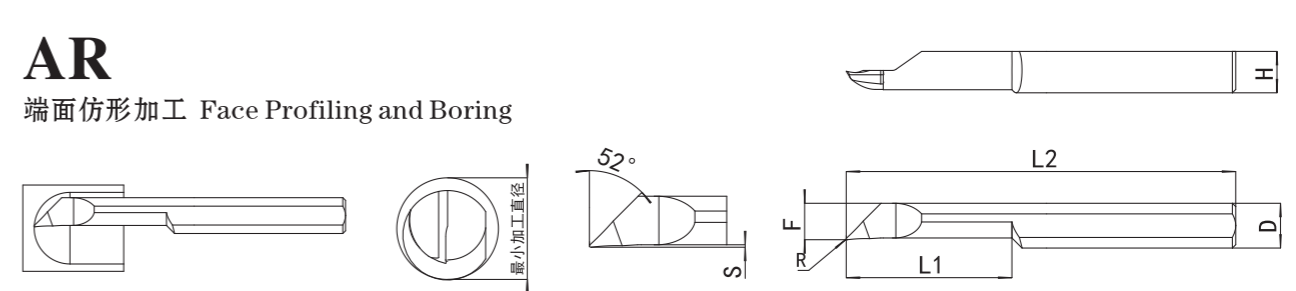
△ 适合 Suitabel

扁平定位系列

Flatten locking

AR

端面仿形加工 Face Profiling and Boring



型号规格 Specifications	F	L1	S	R	D	L2	最小加工孔径 Min.Dia
AR3 10L R0.1	2.3	10	0.2	0.1	D4	50	5.0
AR4 15L R0.1	3.3	15	0.2	0.1	D4	50	7.0
AR5 15L R0.2	4.3	15	0.2	0.2	D5	50	9.0
AR6 15L R0.2	5.3	15	0.2	0.2	D6	50	11.0

●标准库存 Stock ○需预定 Available Upon Order

★定货示例: MAR6 15L R0.2 T40 Order example: MAR6 15L R0.2 T40

无涂层 uncoated	T10	T20	T30	T40
○	○	○	○	●
○	○	○	○	●
○	○	○	○	●
○	○	○	○	●

P	▲	△	▲	△
M	▲	▲	△	△
K	△	△	△	△
N	▲	△	▲	
S	△	△		▲
H	△	△		▲

单位: mm
unit: mm

P: 钢 Steel

M: 不锈钢 Stainless steel

K: 球墨铸铁 Ductile Cast Iron

N: 有色金属/铝合金 Non-ferrous metal/Al-alloys

S: 钛合金/高温合金 Titanium Alloys/High temp alloys

H: 硬材料 Hardened materials

▲ 最适合 Most Suitable

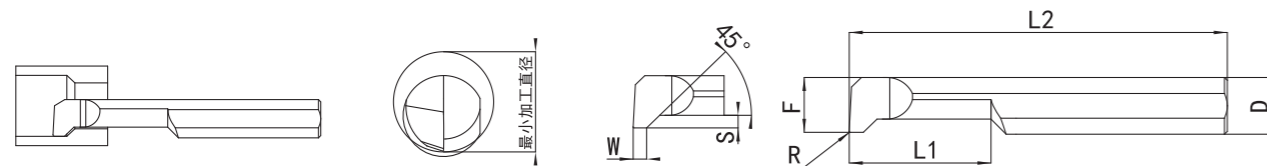
△ 适合 Suitabel

扁平定位系列

Flatten locking

DR

内孔镗刀 倒角 切槽 Thread Relief, Chamfering and Grooving



型号规格 Specifications	F	L1	S	R	D	L2	W	最小加工孔径 Min.Dia
DR4 10L R0.2	3.8	10	0.8	0.2	D4	50	1.5	4.0
DR5 15L R0.2	4.8	15	1.2	0.2	D5	50	1.5	5.0
DR6 15L R0.2	5.8	15	1.4	0.2	D6	50	1.5	6.0

●标准库存 Stock ○需预定 Available Upon Order

★定货示例: XDR6 15L R0.2 T10 Order example: XDR6 15L R0.2 T10

无涂层 uncoated	T10	T20	T30	T40
X	SB	G	M	
•	•	•	•	•
•	•	•	•	•
•	•	•	•	•

P	▲	△	▲	△
M	▲	▲	△	△
K	△	△	△	△
N	▲	△	▲	
S	△	△		▲
H	△	△		▲

单位: mm
unit: mm

P: 钢 Steel

M: 不锈钢 Stainless steel

K: 球墨铸铁 Ductile Cast Iron

N: 有色金属/铝合金 Non-ferrous metal/Al-alloys

S: 钛合金/高温合金 Titanium Alloys/High temp alloys

H: 硬材料 Hardened materials

▲ 最适合 Most Suitable

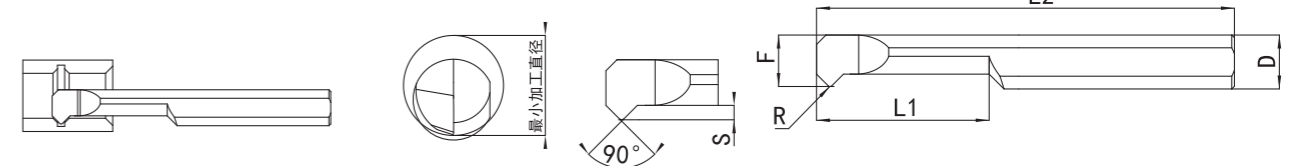
△ 适合 Suitabel

扁平定位系列

Flatten locking

CR

内孔镗刀及倒角 Chamfering and Boring



型号规格 Specifications	F	L1	S	R	D	L2	最小加工孔径 Min.Dia
CR3 10L R0.2	2.8	10	0.5	0.2	D4	50	3.0
CR4 15L R0.2	3.7	15	0.8	0.2	D4	50	4.0
CR5 15L R0.2	4.7	15	1.2	0.2	D5	50	5.0
CR6 15L R0.2	5.7	15	1.5	0.2	D6	50	6.0

●标准库存 Stock ○需预定 Available Upon Order

★定货示例: SBCR6 15L R0.2 T20 Order example: SBCR6 15L R0.2 T20

无涂层 uncoated	T10	T20	T30	T40
X	SB	G	M	
•	○	•	○	○
•	○	•	○	○
•	○	•	○	○
•	○	•	○	○

P	▲	△	▲	△
M	▲	▲	△	△
K	△	△	△	△
N	▲	△	▲	
S	△	△		▲
H	△	△		▲

单位: mm
unit: mm

P: 钢 Steel

M: 不锈钢 Stainless steel

K: 球墨铸铁 Ductile Cast Iron

N: 有色金属/铝合金 Non-ferrous metal/Al-alloys

S: 钛合金/高温合金 Titanium Alloys/High temp alloys

H: 硬材料 Hardened materials

▲ 最适合 Most Suitable

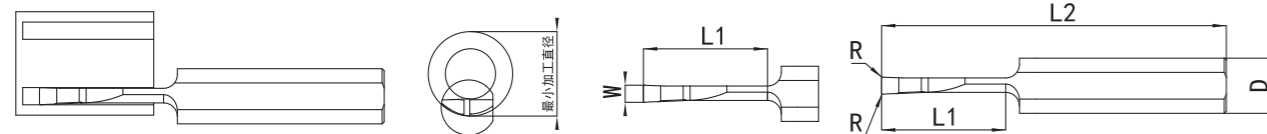
△ 适合 Suitabel

扁平定位系列

Flatten locking

VR

端面切槽 Face Grooving



型号规格 Specifications	W	L1	R	D	L2	最小加工孔径 Min.Dia
VR8 15L W1.5	1.5	15	0.2	D8	50	15.0
VR8 20L W2.0	2.0	20	0.2	D8	50	15.0
VR8 20L W2.5	2.5	20	0.2	D8	50	15.0
VR8 25L W3.0	3.0	25	0.2	D8	50	15.0
VR8 25L W4.0	4.0	25	0.2	D8	50	15.0

●标准库存 Stock ○需预定 Available Upon Order

★定货示例: XMVR8 20L W2.5 T10 Order example: XMVR8 20L W2.5 T10

无涂层 uncoated	T10	T20	T30	T40
	XM	SM	GM	M
○	●	○	○	○
○	●	○	○	○
○	●	○	○	○
○	●	○	○	○
○	●	○	○	○

P	▲	△	▲	△
M	▲	▲	△	△
K	△	△	△	△
N	▲	△	△	▲
S	△	△		▲
H	△	△		▲

单位: mm
unit: mm

P: 钢 Steel

M: 不锈钢 Stainless steel

K: 球墨铸铁 Ductile Cast Iron

N: 有色金属/铝合金 Non-ferrous metal/Al-alloys

S: 钛合金/高温合金 Titanium Alloys/High temp alloys

H: 硬材料 Hardened materials

▲ 最适合 Most Suitable

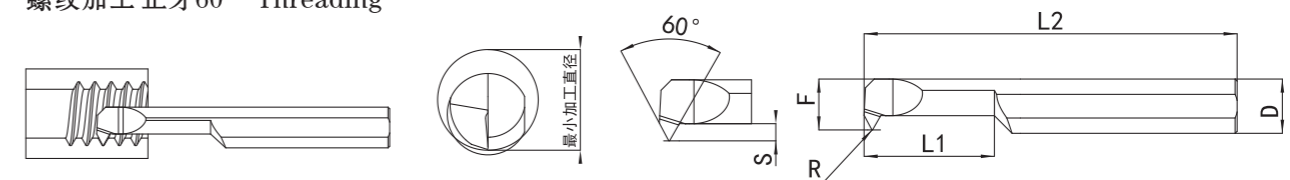
△ 适合 Suitabel

扁平定位系列

Flatten locking

IR

螺纹加工 正牙60° Threading



型号规格 Specifications	F	L1	S	R	D	L2	螺距 Pitch	最小加工孔径 Min.Dia
IR14050-60°	1.4	5	0.4	0.0	D4	50	0.2-0.35	1.5
IR18070-60°	1.8	7	0.6	0.0	D4	50	0.35-0.6	2.0
IR24070-60°	2.4	7	0.6	0.0	D4	50	0.35-0.7	2.5
IR30060-60°	3.0	6	0.8	0.03	D4	50	0.5-0.75	3.1
IR30120-60°		12						
IR40100-60°	3.85	10	1.0	0.05	D4	50	0.5-1.0	4.0
IR40150-60°		15						
IR50100-60°	4.8	10	1.5	0.08	D5	50	0.75-1.0	5.0
IR50150-60°		15						
IR50220-60°		22						
IR60100-60°	5.6	10	1.8	0.1	D6	50	1.0-1.5	6.0
IR60150-60°		15						
IR60200-60°		20						
IR60300-60°		30						
IR80150-60°	7.8	15	2.2	0.1	D8	50	1.0-1.75	8.0
IR80220-60°		22						
IR100350-60°	9.9	35	2.2	0.1	D10	75	1.0-2.0	10.0

●标准库存 Stock ○需预定 Available Upon Order

★定货示例: STIR60200-60° T20+ Order example: STIR60200-60° T20+

无涂层 uncoated	T10	T20	T30	T40
	X	ST	G	M
●	●	●	●	●
●	●	●	●	●
●	●	●	●	●
●	●	●	●	●
●	●	●	●	●
●	●	●	●	●
●	●	●	●	●
●	●	●	●	●
●	●	●	●	●
●	●	●	●	●
●	●	●	●	●
○	○	○	○	○
○	○	○	○	○
○	○	○	○	○

P	▲	△	▲	△
M	▲	▲	△	△
K	△	△	△	△
N	▲	△	△	▲
S	△	△		▲
H	△	△		▲

单位: mm
unit: mm

P: 钢 Steel

M: 不锈钢 Stainless steel

K: 球墨铸铁 Ductile Cast Iron

N: 有色金属/铝合金 Non-ferrous metal/Al-alloys

S: 钛合金/高温合金 Titanium Alloys/High temp alloys

H: 硬材料 Hardened materials

▲ 最适合 Most Suitable

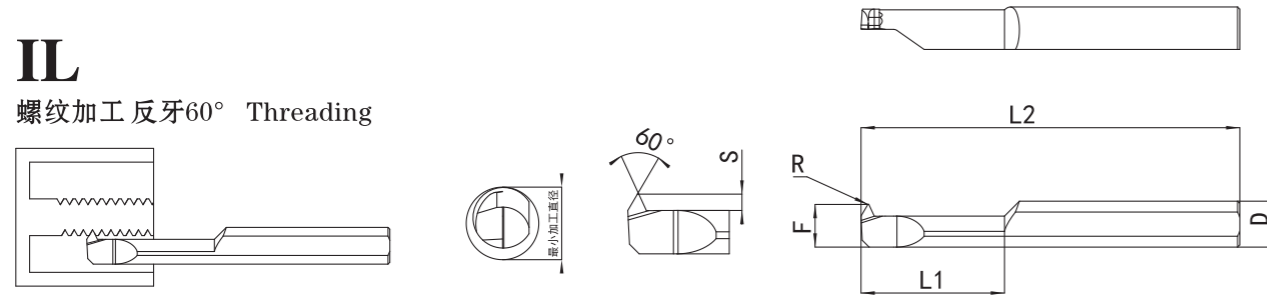
△ 适合 Suitabel

扁平定位系列

Flatten locking

IL

螺纹加工 反牙60° Threading



型号规格 Specifications	F	L1	S	R	D	L2	螺距 Pitch	最小加工孔径 Min.Dia
IL40100-60°	3.85	10	1.0	0.05	D4	50	0.5-1.0	4.0
IL40150-60°		15						
IL50100-60°	4.8	10	1.5	0.08	D5	50	0.75-1.0	5.0
IL50150-60°		15						
IL60100-60°	5.6	10	1.8	0.1	D6	50	1.0-1.5	6.0
IL60150-60°		15						
IL60200-60°		20						
IL80150-60°	7.8	15	2.2	0.1	D8	50	1.0-1.75	8.0
IL80220-60°		22						

●标准库存 Stock ○需预定 Available Upon Order

★定货示例: STIL60200-60° T20+ Order example: STIL60200-60° T20+

无涂层 uncoated	T10	T20	T30	T40
X	ST	G	M	
●	●	●	●	●
●	●	●	●	●
●	●	●	●	●
●	●	●	●	●
●	●	●	●	●
●	●	●	●	●
●	●	●	●	●
●	●	●	●	●
●	●	●	●	●
●	●	●	●	●

P	▲	△	▲	△
M	▲	▲	△	△
K	△	△	△	△
N	▲	△	▲	
S	△	△		▲
H	△	△		▲

单位: mm
unit: mm

P: 钢 Steel

M: 不锈钢 Stainless steel

K: 球墨铸铁 Ductile Cast Iron

N: 有色金属/铝合金 Non-ferrous metal/Al-alloys

S: 钛合金/高温合金 Titanium Alloys/High temp alloys

H: 硬材料 Hardened materials

▲ 最适合 Most Suitable

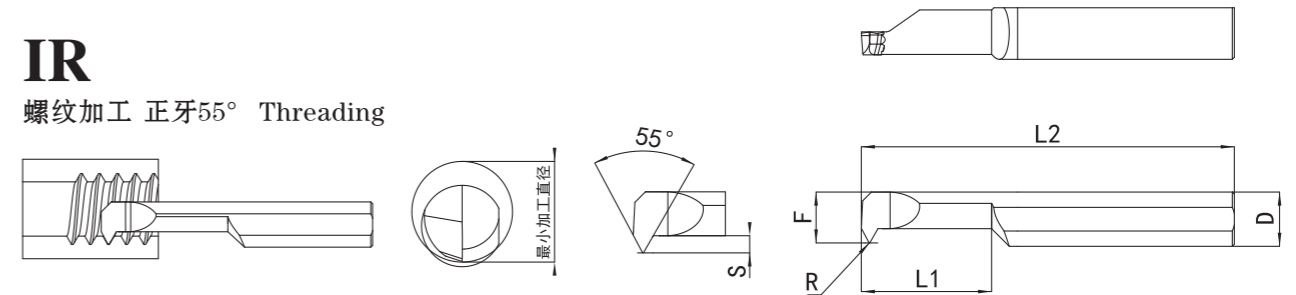
△ 适合 Suitabel

扁平定位系列

Flatten locking

IR

螺纹加工 正牙55° Threading



型号规格 Specifications	F	L1	S	R	D	L2	最小加工孔径 Min.Dia
IR40100-55°	3.85	10	1.0	0.05	D4	50	4.0
IR40150-55°		15					
IR50100-55°	4.8	10	1.5	0.08	D5	50	5.0
IR50150-55°		15					
IR60100-55°	5.6	10	1.8	0.1	D6	50	6.0
IR60150-55°		15					
IR80150-55°	7.8	15	2.2	0.1	D8	50	8.0
IR80220-55°		22					

●标准库存 Stock ○需预定 Available Upon Order

★定货示例: STIR60150-55° T20+ Order example: STIR60150-55° T20+

无涂层 uncoated	T10	T20	T30	T40
X	ST	G	M	
●	●	●	●	●
●	●	●	●	●
●	●	●	●	●
●	●	●	●	●
●	●	●	●	●
●	●	●	●	●
●	●	●	●	●
●	●	●	●	●
●	●	●	●	●
●	●	●	●	●

P	▲	△	▲	△
M	▲	▲	△	△
K	△	△	△	△
N	▲	△	▲	
S	△	△		▲
H	△	△		▲

单位: mm
unit: mm

P: 钢 Steel

M: 不锈钢 Stainless steel

K: 球墨铸铁 Ductile Cast Iron

N: 有色金属/铝合金 Non-ferrous metal/Al-alloys

S: 钛合金/高温合金 Titanium Alloys/High temp alloys

H: 硬材料 Hardened materials

▲ 最适合 Most Suitable

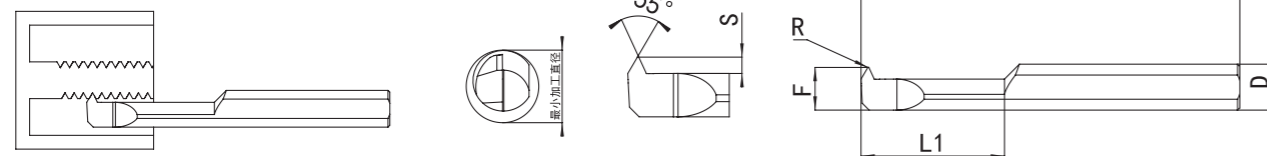
△ 适合 Suitabel

扁平定位系列

Flatten locking

IL

螺纹加工 反牙55° Threading



型号规格 Specifications	F	L1	S	R	D	L2	最小加工孔径 Min.Dia
IL40100-55°	3.85	10	1.0	0.05	D4	50	4.0
IL40150-55°		15					
IL50100-55°	4.8	10	1.5	0.08	D5	50	5.0
IL50150-55°		15					
IL60100-55°	5.6	10	1.8	0.1	D6	50	6.0
IL60150-55°		15					
IL80150-55°	7.8	15	2.2	0.1	D8	50	8.0
IL80220-55°		22					

无涂层 uncoated	T10	T20	T30	T40
	X	ST	G	M
●	○	●	●	○
●	○	●	●	○
●	○	●	●	○
●	○	●	●	○
●	○	●	●	○
●	○	●	●	○
●	○	●	●	○
●	○	●	●	○

●标准库存 Stock ○需预定 Available Upon Order

★定货示例: STIL60150-55° T20+ Order example: STIL60150-55° T20+

P	▲	△	▲	△
M	▲	▲	△	△
K	△	△	△	△
N	▲	△	▲	
S	△	△		▲
H	△	△		▲

单位: mm
unit: mm

P: 钢 Steel

M: 不锈钢 Stainless steel

K: 球墨铸铁 Ductile Cast Iron

N: 有色金属/铝合金 Non-ferrous metal/Al-alloys

S: 钛合金/高温合金 Titanium Alloys/High temp alloys

H: 硬材料 Hardened materials

▲ 最适合 Most Suitable

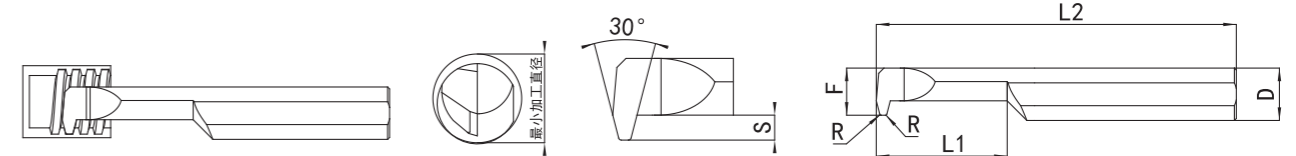
△ 适合 Suitabel

扁平定位系列

Flatten locking

梯形螺纹刀

螺纹加工 正牙30° Threading



型号规格 Specifications	F	L1	S	R	D	L2	最小加工孔径 Min.Dia
TR8*1.5*25L*D8*A30	6.1	25	1.5	0.075	D8	60	6.5
TR9*2*25L*D8*A30	6.7	25	1.6	0.25	D8	60	7.0
TR14*2*35L*D10*A30	9.8	35	1.6	0.25	D10	75	10.0
TR11*3*35*D8*A30	7.2	35	2.0	0.25	D8	75	7.5
TR14*3*35*D10*A30	9.8	35	2.2	0.25	D10	75	10.0
TR16*4*35L*D10*A30	9.8	35	2.5	0.25	D10	75	10.0

无涂层 uncoated	T10	T20	T30	T40
○	●	○	○	○
○	●	○	○	○
○	●	○	○	○
○	●	○	○	○
○	●	○	○	○
○	●	○	○	○

●标准库存 Stock ○需预定 Available Upon Order

★定货示例: TR14*3*35*D10*A30 T10 Order example: TR14*3*35*D10*A30 T10

P	▲	△	▲	△
M	▲	▲	△	△
K	△	△	△	△
N	▲	△	▲	
S	△	△		▲
H	△	△		▲

单位: mm
unit: mm

P: 钢 Steel

M: 不锈钢 Stainless steel

K: 球墨铸铁 Ductile Cast Iron

N: 有色金属/铝合金 Non-ferrous metal/Al-alloys

S: 钛合金/高温合金 Titanium Alloys/High temp alloys

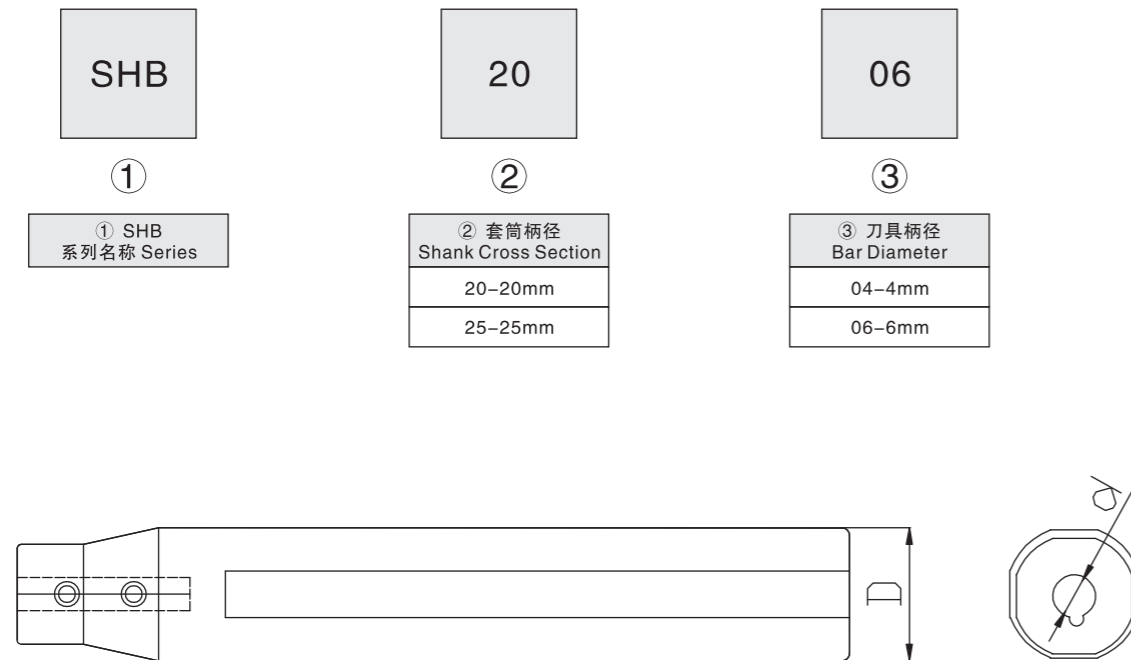
H: 硬材料 Hardened materials

▲ 最适合 Most Suitable

△ 适合 Suitabel

SHB 扁平定位套筒

SHB Series Toolholders



型号规格 Specifications	D	d
SHB1603	16	3
SHB1604		4
SHB1605		5
SHB1606		6
SHB1607		7

型号规格 Specifications	D	d
SHB2003	20	3
SHB2004		4
SHB2005		5
SHB2006		6
SHB2007		7
SHB2008		8

型号规格 Specifications	D	d
SHB2503	25	3
SHB2504		4
SHB2505		5
SHB2506		6
SHB2507		7
SHB2508		8

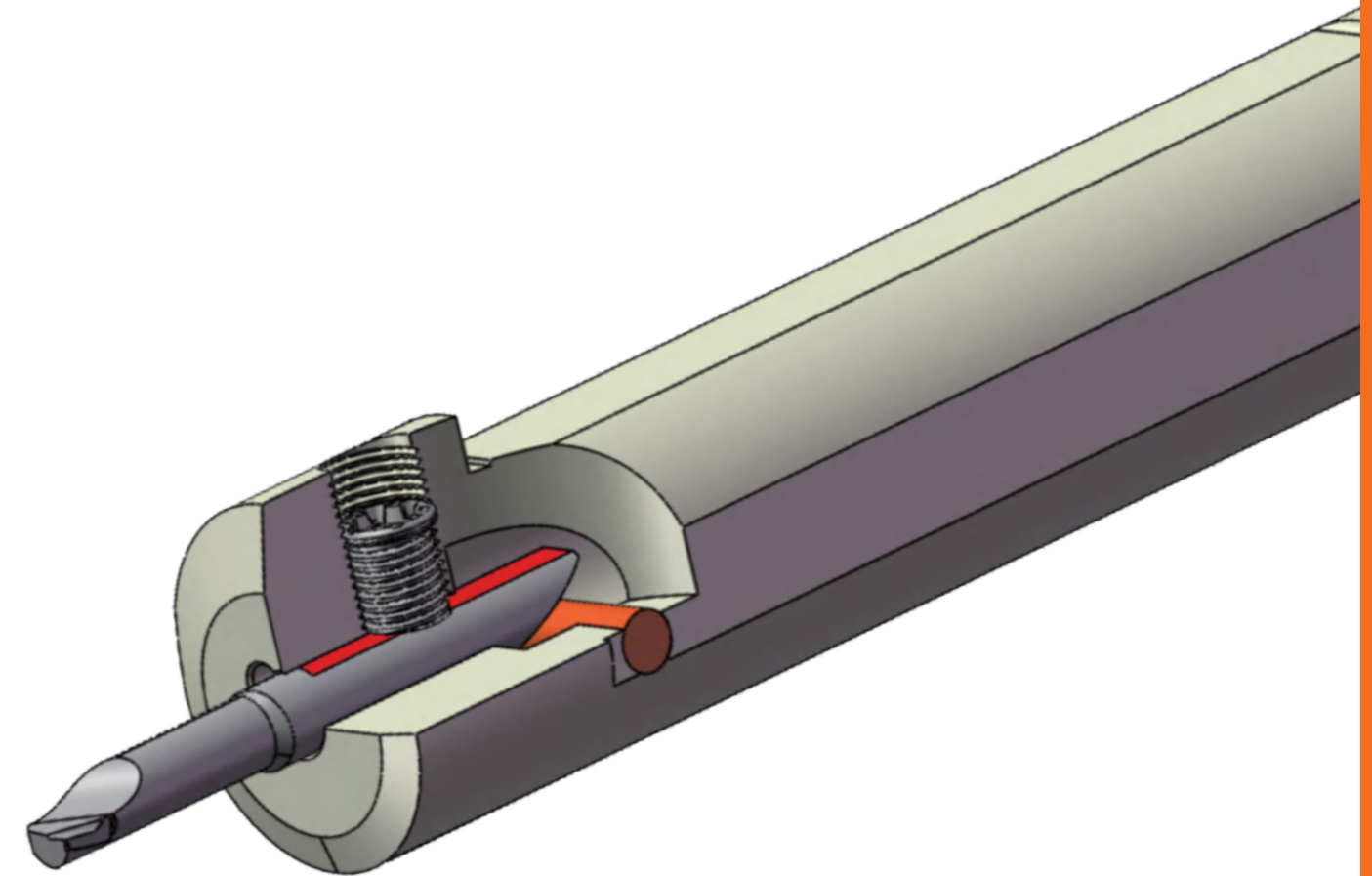
型号规格 Specifications	D	d
SHB19.05-03	19.05	3
SHB19.05-04		4
SHB19.05-05		5
SHB19.05-06		6
SHB19.05-07		7
SHB19.05-08		8

型号规格 Specifications	D	d
SHB2203	22	3
SHB2204		4
SHB2205		5
SHB2206		6
SHB2207		7
SHB2208		8

型号规格 Specifications	D	d
SHB2504-03	25.04	3
SHB2504-04		4
SHB2504-05		5
SHB2504-06		6
SHB2504-07		7
SHB2504-08		8

后斜定位系列

Rear oblique positioning series



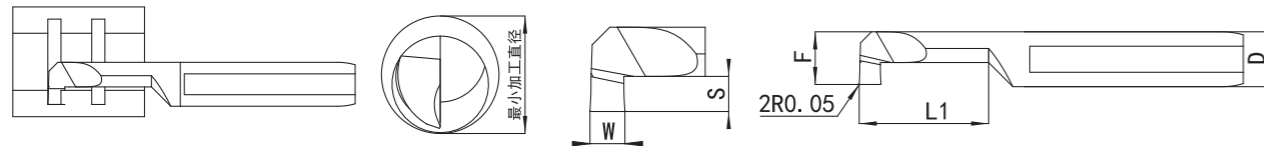
产品 System	SCNR	SCTR	SCPR	SCQR	SCWR	SCFR	SCFL	SCIR	XSHB			
页码 Seite/Page	B31	B33	B35	B37	B39	B41	B42	B43	B45			

后斜定位系列

Rear oblique positioning series

SCWR

切槽 Grooving



型号规格 Specifications	W	S	L1	F	D	H	最小加工孔径 Min.Dia
SCWR4 5L W0.5	0.5	1.0	5	3.8	D4	3.7	4.0
SCWR4 10L W0.5			10				
SCWR4 5L W1.0	1.0	1.0	5	3.8	D4	3.7	4.0
SCWR4 10L W1.0			10				
SCWR5 10L W1.0	1.0	2.0	10	4.8	D5	4.7	5.0
SCWR5 20L W1.0			20				
SCWR5 10L W1.5	1.5	2.0	10	4.8	D5	4.7	5.0
SCWR5 20L W1.5			20				
SCWR5 10L W2.0	2.0	2.0	10	4.8	D5	4.7	5.0
SCWR5 20L W2.0			20				

无涂层 uncoated	T10	T20	T30	T40
○	●	○	●	○
○	●	○	●	○
○	●	○	●	○
○	●	○	●	○
○	●	○	●	○
○	●	○	●	○
○	●	○	●	○
○	●	○	●	○
○	●	○	●	○
○	●	○	●	○
○	●	○	●	○
○	●	○	●	○

●标准库存 Stock ○需预定 Available Upon Order

P	▲	△	▲	△
M	▲	▲	△	△
K		△	△	△
N	▲	△	▲	
S		△		▲
H		△		▲

单位: mm
unit: mm

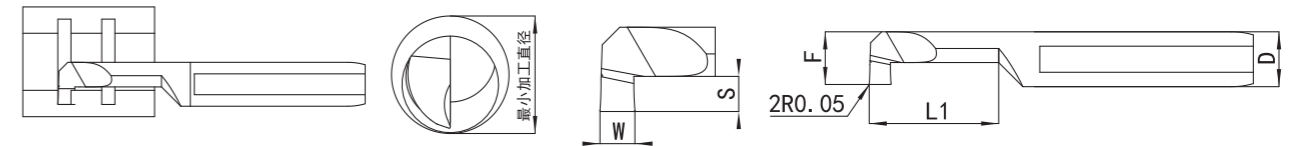
- P: 钢 Steel
- M: 不锈钢 Stainless steel
- K: 球墨铸铁 Ductile Cast Iron
- N: 有色金属/铝合金 Non-ferrous metal/Al-alloys
- S: 钛合金/高温合金 Titanium Alloys/High temp alloys
- H: 硬材料 Hardened materials
- ▲ 最适合 Most Suitable
- △ 适合 Suitabel

后斜定位系列

Rear oblique positioning series

SCWR

切槽 Grooving



型号规格 Specifications	W	S	L1	F	D	H	最小加工孔径 Min.Dia
SCWR6 10L W1.0	1.0	1.0	10	5.8	D6	5.7	6.0
SCWR6 20L W1.0			20				
SCWR6 10L W1.5	1.5	1.5	10	5.8	D6	5.7	6.0
SCWR6 20L W1.5			20				
SCWR6 10L W2.0	2.0	2.0	10	5.8	D6	5.7	6.0
SCWR6 20L W2.0			20				
SCWR8 10L W1.0	1.0	1.0	10	7.8	D8	7.7	8.0
SCWR8 20L W1.0			20				
SCWR8 10L W1.5	1.5	1.5	10	7.8	D8	7.7	8.0
SCWR8 20L W1.5			20				
SCWR8 10L W2.0	2.0	2.0	10	7.8	D8	7.7	8.0
SCWR8 20L W2.0			20				
SCWR8 10L W3.0	3.0	3.0	10	7.8	D8	7.7	8.0
SCWR8 20L W3.0			20				

无涂层 uncoated	T10	T20	T30	T40
○	●	○	●	○
○	●	○	●	○
○	●	○	●	○
○	●	○	●	○
○	●	○	●	○
○	●	○	●	○
○	●	○	●	○
○	●	○	●	○
○	●	○	●	○
○	●	○	●	○
○	●	○	●	○
○	●	○	●	○

●标准库存 Stock ○需预定 Available Upon Order

P	▲	△	▲	△
M	▲	▲	△	△
K		△	△	△
N	▲	△	▲	
S		△		▲
H		△		▲

单位: mm
unit: mm

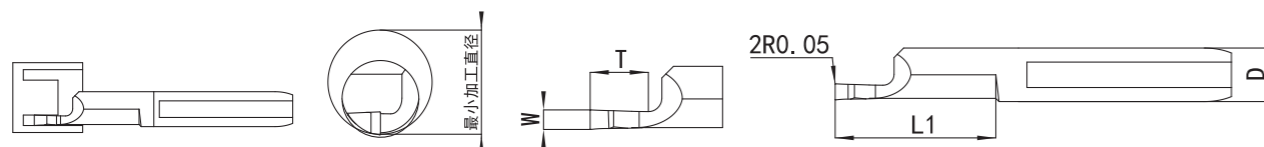
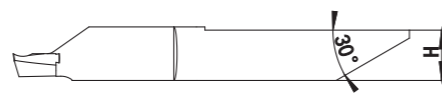
- P: 钢 Steel
- M: 不锈钢 Stainless steel
- K: 球墨铸铁 Ductile Cast Iron
- N: 有色金属/铝合金 Non-ferrous metal/Al-alloys
- S: 钛合金/高温合金 Titanium Alloys/High temp alloys
- H: 硬材料 Hardened materials
- ▲ 最适合 Most Suitable
- △ 适合 Suitabel

后斜定位系列

Rear oblique positioning series

SCFR

端面切槽 Face Grooving



型号规格 Specifications	W	T	L1	D	H	最小加工孔径 Min.Dia
SCFR4 15L W0.5	0.5	1.5	15	D4	3.7	6.0
SCFR4 15L W0.75	0.75	2.5				
SCFR4 15L W1.0	1.0	3.0				
SCFR5 15L W1.0	1.0	3.0	15	D5	4.7	8.0
SCFR5 15L W1.5	1.5	4.5				
SCFR5 15L W2.0	2.0	6.0				
SCFR6 15L W1.0	1.0	3.0	15	D6	5.7	10.0
SCFR6 15L W1.5	1.5	4.5				
SCFR6 15L W2.0	2.0	6.0				
SCFR8 15L W1.0	1.0	3.0	15	D8	7.7	15.0
SCFR8 15L W1.5	1.5	4.5				
SCFR8 15L W2.0	2.0	6.0				
SCFR8 15L W2.5	2.5	7.5				
SCFR8 15L W3.0	3.0	9.0				

无涂层 uncoated	T10	T20	T30	T40
○	●	○	●	○
○	●	○	●	○
○	●	○	●	○
○	●	○	●	○
○	●	○	●	○
○	●	○	●	○
○	●	○	●	○
○	●	○	●	○
○	●	○	●	○
○	●	○	●	○
○	●	○	●	○
○	●	○	●	○
○	●	○	●	○
○	●	○	●	○
○	●	○	●	○

P	▲	△	▲	△
M	▲	▲	△	△
K	△	△	△	△
N	▲	△	▲	
S	△	△		▲
H	△	△		▲

单位: mm
unit: mm

●标准库存 Stock ○需预定 Available Upon Order

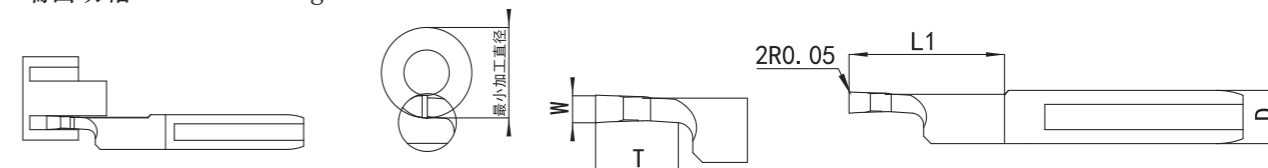
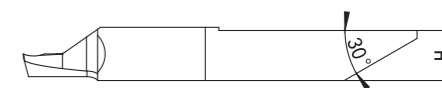
- P: 钢 Steel
- M: 不锈钢 Stainless steel
- K: 球墨铸铁 Ductile Cast Iron
- N: 有色金属/铝合金 Non-ferrous metal/Al-alloys
- S: 钛合金/高温合金 Titanium Alloys/High temp alloys
- H: 硬材料 Hardened materials
- ▲ 最适合 Most Suitable
- △ 适合 Suitabel

后斜定位系列

Rear oblique positioning series

SCFL

端面切槽 Face Grooving



型号规格 Specifications	W	T	L1	D	H	最小加工孔径 Min.Dia
SCFL4 15L W0.5	0.5	1.5	15	D4	3.7	6.0
SCFL4 15L W0.75	0.75	2.5				
SCFL4 15L W1.0	1.0	3.0				
SCFL5 15L W1.0	1.0	3.0	15	D5	4.7	8.0
SCFL5 15L W1.5	1.5	4.5				
SCFL5 15L W2.0	2.0	6.0				
SCFL6 15L W1.0	1.0	3.0	15	D6	5.7	10.0
SCFL6 15L W1.5	1.5	4.5				
SCFL6 15L W2.0	2.0	6.0				
SCFL8 15L W1.0	1.0	3.0	15	D8	7.7	15.0
SCFL8 15L W1.5	1.5	4.5				
SCFL8 15L W2.0	2.0	6.0				
SCFL8 15L W2.5	2.5	7.5				
SCFL8 15L W3.0	3.0	9.0				

无涂层 uncoated	T10	T20	T30	T40
○	●	○	●	○
○	●	○	●	○
○	●	○	●	○
○	●	○	●	○
○	●	○	●	○
○	●	○	●	○
○	●	○	●	○
○	●	○	●	○
○	●	○	●	○
○	●	○	●	○
○	●	○	●	○
○	●	○	●	○
○	●	○	●	○
○	●	○	●	○
○	●	○	●	○

P	▲	△	▲	△
M	▲	▲	△	△
K	△	△	△	△
N	▲	△	▲	
S	△	△		▲
H	△	△		▲

单位: mm
unit: mm

●标准库存 Stock ○需预定 Available Upon Order

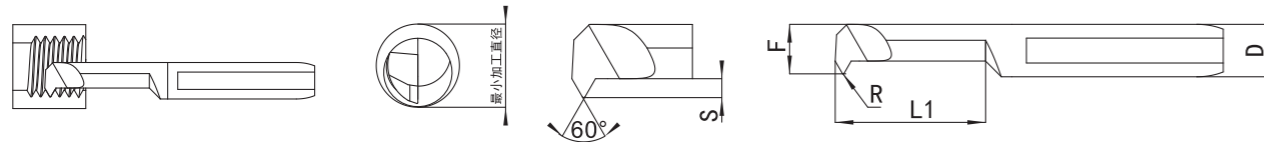
- P: 钢 Steel
- M: 不锈钢 Stainless steel
- K: 球墨铸铁 Ductile Cast Iron
- N: 有色金属/铝合金 Non-ferrous metal/Al-alloys
- S: 钛合金/高温合金 Titanium Alloys/High temp alloys
- H: 硬材料 Hardened materials
- ▲ 最适合 Most Suitable
- △ 适合 Suitabel

后斜定位系列

Rear oblique positioning series

SCIR

螺纹加工 正牙60° Threading



型号规格 Specifications	F	S	L1	R	D	H	螺距 Pitch	每英寸牙数 Threads per inch	最小加工孔径 Min.Dia
SCIR2 5L A60	1.9	0.7	5	0.05	D4	3.7	0.35-0.6	56-32	2.0
SCIR3 10L A60	3.0	1.0	10	0.05	D4	3.7	0.8-1.0	32-24	3.1
SCIR4 10L A60	3.8	1.0	10	0.05	D4	3.7	0.8-1.0	32-24	4.0
SCIR4 15L A60			15						
SCIR5 10L A60	4.8	1.3	10	0.1	D5	4.7	1.0-1.25	24-20	5.0
SCIR5 15L A60			15						
SCIR6 10L A60	5.6	1.5	10	0.1	D6	5.7	1.0-1.5	24-16	6.0
SCIR6 15L A60			15						
SCIR8 10L A60	7.6	1.8	10	0.1	D8	7.7	1.0-2.0	24-13	8.0
SCIR8 20L A60			20						

●标准库存 Stock ○需预定 Available Upon Order

无涂层 uncoated	T10	T20	T30	T40
○	●	○	●	○
○	●	○	●	○
○	●	○	●	○
○	●	○	●	○
○	●	○	●	○
○	●	○	●	○
○	●	○	●	○
○	●	○	●	○
○	●	○	●	○
○	●	○	●	○
○	●	○	●	○
○	●	○	●	○

P	▲	△	▲	△
M	▲	▲	△	△
K	△	△	△	△
N	▲	△	▲	
S	△	△		▲
H	△	△		▲

单位: mm
unit: mm

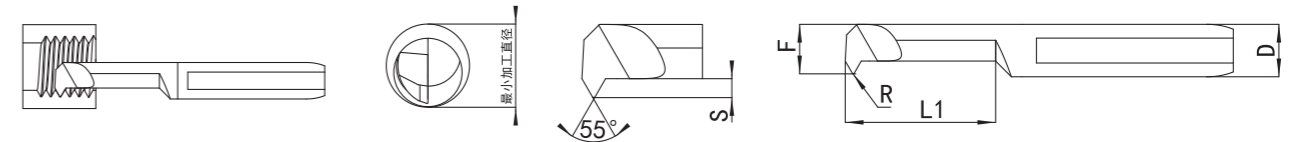
- P: 钢 Steel
- M: 不锈钢 Stainless steel
- K: 球墨铸铁 Ductile Cast Iron
- N: 有色金属/铝合金 Non-ferrous metal/Al-alloys
- S: 钛合金/高温合金 Titanium Alloys/High temp alloys
- H: 硬材料 Hardened materials
- ▲ 最适合 Most Suitable
- △ 适合 Suitabel

后斜定位系列

Rear oblique positioning series

SCIR

螺纹加工 正牙55° Threading



型号规格 Specifications	F	S	L1	R	D	H	螺距 Pitch	每英寸牙数 Threads per inch	最小加工孔径 Min.Dia
SCIR3 10L A55	3.0	1.0	10	0.05	D4	3.7	0.5-1.0	48-24	3.1
SCIR4 10L A55	3.8	1.0	10	0.05	D4	3.7	0.5-1.0	48-24	4.0
SCIR4 15L A55			15						
SCIR5 10L A55	4.8	1.3	10	0.1	D5	4.7	0.5-1.25	48-20	5.0
SCIR5 15L A55			15						
SCIR6 10L A55	5.6	1.5	10	0.1	D6	5.7	0.5-1.5	48-16	6.0
SCIR6 15L A55			15						
SCIR8 10L A55	7.6	1.8	10	0.1	D8	7.7	1.0-2.0	48-14	8.0
SCIR8 20L A55			20						

●标准库存 Stock ○需预定 Available Upon Order

无涂层 uncoated	T10	T20	T30	T40
○	●	○	●	○
○	●	○	●	○
○	●	○	●	○
○	●	○	●	○
○	●	○	●	○
○	●	○	●	○
○	●	○	●	○
○	●	○	●	○
○	●	○	●	○
○	●	○	●	○
○	●	○	●	○
○	●	○	●	○

P	▲	△	▲	△
M	▲	▲	△	△
K	△	△	△	△
N	▲	△	▲	
S	△	△		▲
H	△	△		▲

单位: mm
unit: mm

- P: 钢 Steel
- M: 不锈钢 Stainless steel
- K: 球墨铸铁 Ductile Cast Iron
- N: 有色金属/铝合金 Non-ferrous metal/Al-alloys
- S: 钛合金/高温合金 Titanium Alloys/High temp alloys
- H: 硬材料 Hardened materials
- ▲ 最适合 Most Suitable
- △ 适合 Suitabel

XSHB 后斜定位套筒

XSHB Series Toolholders

XSHB

①

① XSHB
系列名称 Series

20

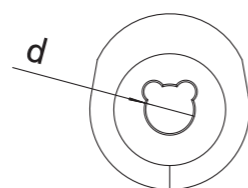
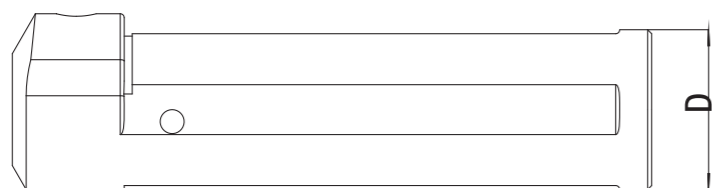
②

② 套筒柄径 Shank Cross Section
20-20mm
25-25mm

06

③

③ 刀具柄径 Bar Diameter
04-4mm
06-6mm



型号规格 Specifications	D	d
XSHB1204	12	4
XSHB1205		5
XSHB1206		6

型号规格 Specifications	D	d
XSHB1604	16	4
XSHB1605		5
XSHB1606		6
XSHB1608		8

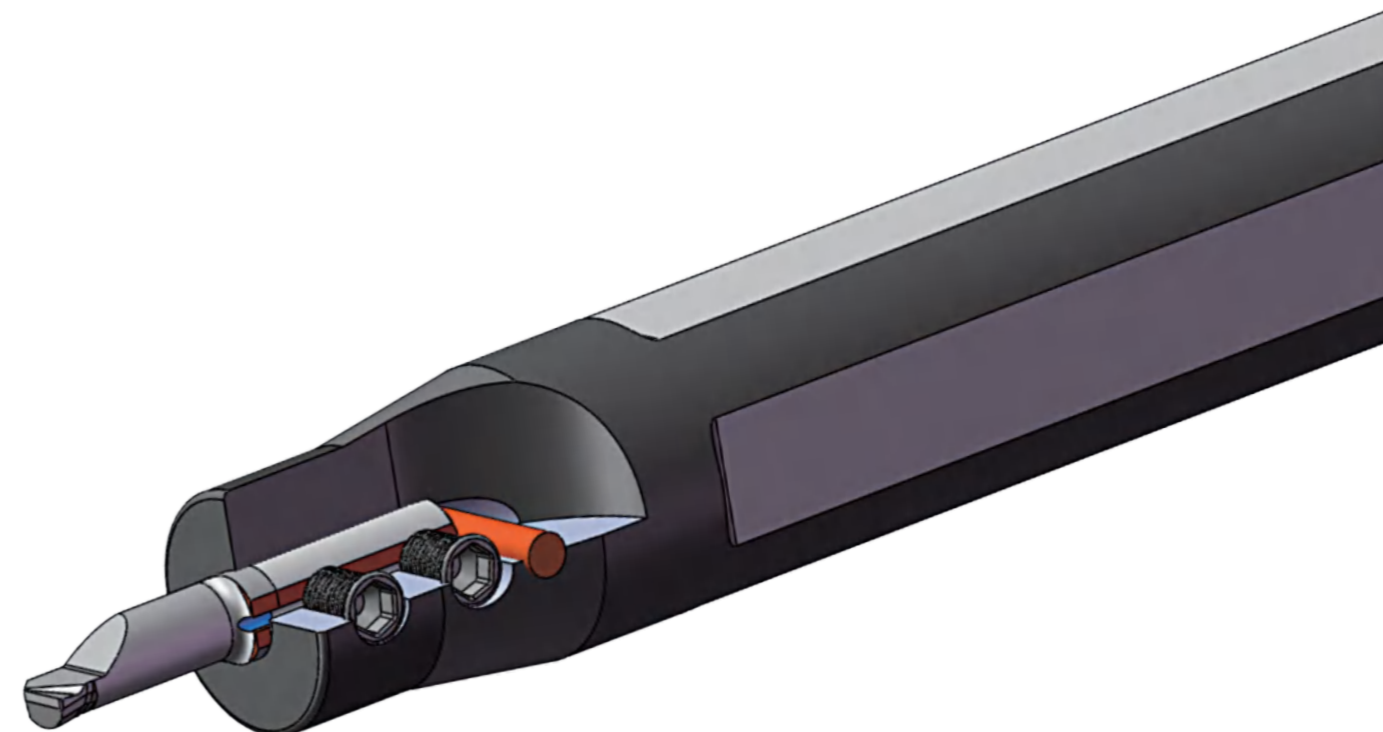
型号规格 Specifications	D	d
XSHB2004	20	4
XSHB2005		5
XSHB2006		6
XSHB2008		8

型号规格 Specifications	D	d
XSHB2204	22	4
XSHB2205		5
XSHB2206		6
XSHB2208		8

型号规格 Specifications	D	d
XSHB2504	25	4
XSHB2505		5
XSHB2506		6
XSHB2508		8

侧定位 带油槽出水

Side-locking with coolant hole



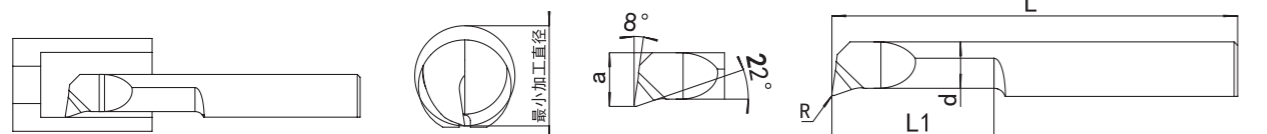
产品 System	YP	YS	YQ	YU	YX	YC	YG	YF	YI 60°	YMI	YI 55°	YSK
页码 Seite/Page	C46	C48	C49	C50	C51	C52	C53	C56	C57	C58	C59	C60

侧定位 带油槽出水

Side-locking with coolant hole

YP

仿形切削 Profiling and Boring



型号规格 Specifications	a	d	L1	R	D	L	最小加工孔径 Min.Dia	T40	
								R	L
YP1. 4. 008	0.9	0.7	4	0.08	D4	20	1.0	●	○
YP1. 6. 008			6			22		●	○
YP2. 6. 010	1.7	1.4	6	0.1	D4	22	2.0	●	○
YP2. 11. 010			11			27		●	○
YP3. 11. 015	2.7	2.4	11	0.15	D4	27	3.0	●	○
YP3. 16. 015			16			32		●	○
YP3. 21. 015			21			37		●	○
YP4. 11. 005	3.7	3.3	11	0.05	D4	27	4.0	●	○
YP4. 16. 005			16			32		●	○
YP4. 21. 005			21			37		●	○
YP4. 11. 020	3.7	3.3	11	0.2	D4	27	4.0	●	○
YP4. 16. 020			16			32		●	○
YP4. 21. 020			21			37		●	○

● 标准库存 Stock ○ 需预定 Available Upon Order

P	△
M	△
K	△
N	
S	▲
H	▲

单位: mm
unit: mm

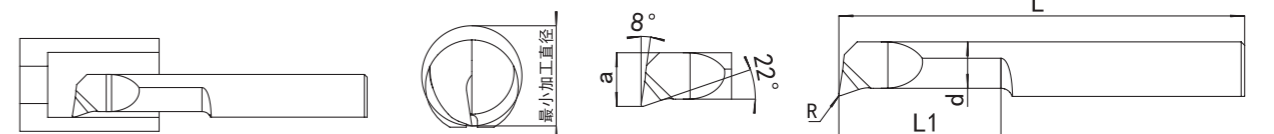
- P: 钢 Steel
- M: 不锈钢 Stainless steel
- K: 球墨铸铁 Ductile Cast Iron
- N: 有色金属/铝合金 Non-ferrous metal/Al-alloys
- S: 钛合金/高温合金 Titanium Alloys/High temp alloys
- H: 硬材料 Hardened materials
- ▲ 最适合 Most Suitable
- △ 适合 Suitabel

侧定位 带油槽出水

Side-locking with coolant hole

YP

仿形切削 Profiling and Boring



型号规格 Specifications	a	d	L1	R	D	L	最小加工孔径 Min.Dia	T40	
								R	L
YP5. 11. 020	4.6	4.0	11	0.2	D5	27	5.0	●	○
YP5. 16. 020			16			32		●	○
YP5. 21. 020			21			37		●	○
YP5. 31. 020			31			47		●	○
YP6. 16. 020	5.6	5.0	16	0.2	D6	32	6.0	●	○
YP6. 21. 020			21			37		●	○
YP6. 26. 020			26			42		●	○
YP6. 36. 020			36			52		●	○
YP7. 21. 020	6.3	5.7	21	0.2	D7	37	6.8	●	○
YP7. 26. 020			26			42		●	○
YP7. 31. 020			31			47		●	○
YP7. 41. 020			41			57		●	○

● 标准库存 Stock ○ 需预定 Available Upon Order

P	△
M	△
K	△
N	
S	▲
H	▲

单位: mm
unit: mm

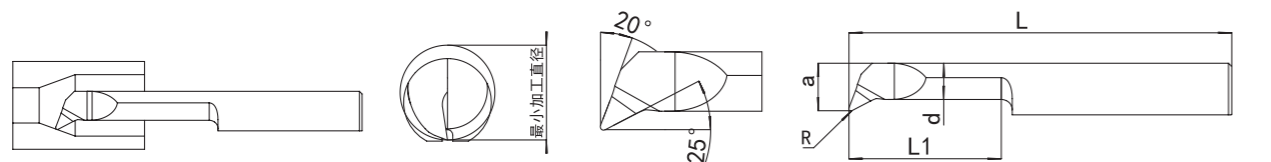
- P: 钢 Steel
- M: 不锈钢 Stainless steel
- K: 球墨铸铁 Ductile Cast Iron
- N: 有色金属/铝合金 Non-ferrous metal/Al-alloys
- S: 钛合金/高温合金 Titanium Alloys/High temp alloys
- H: 硬材料 Hardened materials
- ▲ 最适合 Most Suitable
- △ 适合 Suitabel

侧定位 带油槽出水

Side-locking with coolant hole

YS

仿形切削 Profiling and Boring



型号规格 Specifications	a	d	L1	R	D	L	最小加工孔径 Min.Dia	T40	
								R	L
YS3.06.010	2.45	2.05	6	0.1	D4	22	2.7	•	○
YS3.11.010			11			•		○	
YS3.16.010			16			•		○	
YS4.11.015	3.5	2.60	11	0.15	D4	27	4.0	•	○
YS4.16.015			16			•		○	
YS4.21.015			21			•		○	
YS5.11.020	4.4	3.30	11	0.2	D5	27	5.0	•	○
YS5.26.020			26			•		○	
YS6.21.020	5.3	3.40	21	0.2	D6	37	6.0	•	○
YS6.31.020			31			•		○	

● 标准库存 Stock ○ 需预定 Available Upon Order

P	△
M	△
K	△
N	
S	▲
H	▲

单位: mm
unit: mm

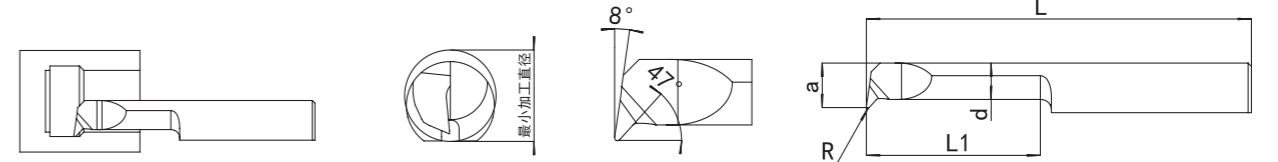
- P: 钢 Steel
- M: 不锈钢 Stainless steel
- K: 球墨铸铁 Ductile Cast Iron
- N: 有色金属/铝合金 Non-ferrous metal/Al-alloys
- S: 钛合金/高温合金 Titanium Alloys/High temp alloys
- H: 硬材料 Hardened materials
- ▲ 最适合 Most Suitable
- △ 适合 Suitabel

侧定位 带油槽出水

Side-locking with coolant hole

YQ

仿形切削 Profiling and Boring



型号规格 Specifications	a	d	L1	R	D	L	最小加工孔径 Min.Dia	T40	
								R	L
YQ2.11.010	1.95	1.45	11	0.1	D4	27	2.2	•	○
YQ3.16.010	2.45	1.85	16	0.1	D4	32	2.7	•	○
YQ3.5.16.010	2.95	2.25	16	0.1	D4	32	3.2	•	○
YQ4.11.015	3.5	2.6	11	0.15	D4	27	4.0	•	○
YQ4.16.015			16			•		○	
YQ4.21.015			21			•		○	
YQ5.16.015	4.4	3.3	16	0.15	D5	27	5.0	•	○
YQ5.26.015			26			•		○	
YQ6.21.015	5.3	3.4	21	0.15	D6	37	6.0	•	○
YQ6.31.015			31			•		○	

● 标准库存 Stock ○ 需预定 Available Upon Order

P	△
M	△
K	△
N	
S	▲
H	▲

单位: mm
unit: mm

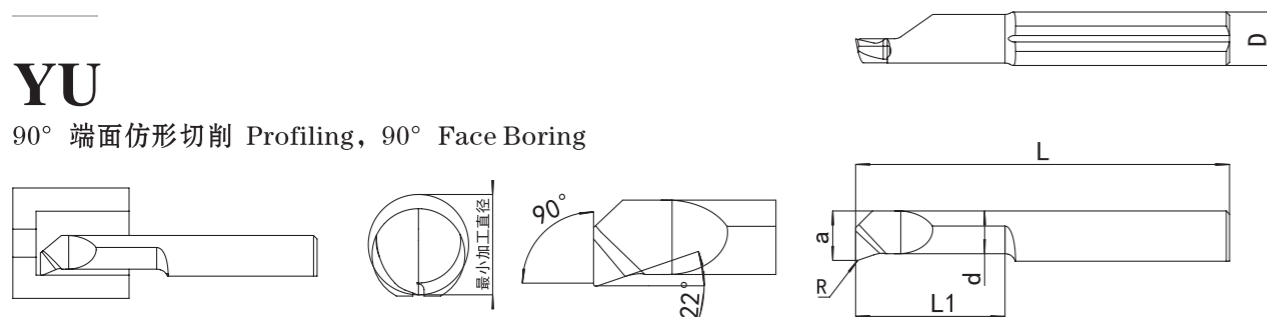
- P: 钢 Steel
- M: 不锈钢 Stainless steel
- K: 球墨铸铁 Ductile Cast Iron
- N: 有色金属/铝合金 Non-ferrous metal/Al-alloys
- S: 钛合金/高温合金 Titanium Alloys/High temp alloys
- H: 硬材料 Hardened materials
- ▲ 最适合 Most Suitable
- △ 适合 Suitabel

侧定位 带油槽出水

Side-locking with coolant hole

YU

90° 端面仿形切削 Profiling, 90° Face Boring



型号规格 Specifications	a	d	L1	R	D	L	最小加工孔径 Min.Dia	T40	
								R	L
YU4.11.015	3.5	2.9	11	0.15	D4	27	4.0	●	○
YU4.16.015			16			32		●	○
YU5.11.015	4.4	3.6	11	0.15	D5	27	5.0	●	○
YU5.16.015			16			32		●	○
YU5.21.015			21			37		●	○
YU6.16.015	5.4	4.4	16	0.15	D6	32	6.0	●	○
YU6.21.015			21			37		●	○

●标准库存 Stock ○需预定 Available Upon Order

P	△
M	△
K	△
N	
S	▲
H	▲

单位: mm
unit: mm

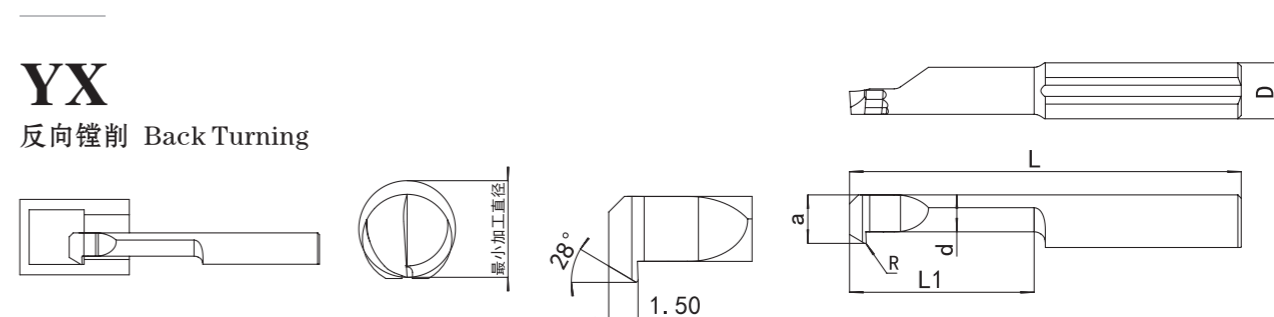
- P: 钢 Steel
- M: 不锈钢 Stainless steel
- K: 球墨铸铁 Ductile Cast Iron
- N: 有色金属/铝合金 Non-ferrous metal/Al-alloys
- S: 钛合金/高温合金 Titanium Alloys/High temp alloys
- H: 硬材料 Hardened materials
- ▲ 最适合 Most Suitable
- △ 适合 Suitabel

侧定位 带油槽出水

Side-locking with coolant hole

YX

反向镗削 Back Turning



型号规格 Specifications	a	d	L1	R	D	L	最小加工孔径 Min.Dia	T40	
								R	L
YX3.16.005	2.6	2.0	16	0.05	D4	32	3.0	●	○
YX4.21.010	3.5	2.6	21	0.1	D4	37	4.0	●	○
YX5.31.015	4.4	3.3	31	0.15	D5	47	5.0	●	○
YX6.31.015	5.3	3.4	31	0.15	D6	47	6.0	●	○
YX7.31.015	6.3	3.7	31	0.15	D7	47	7.0	●	○

●标准库存 Stock ○需预定 Available Upon Order

P	△
M	△
K	△
N	
S	▲
H	▲

单位: mm
unit: mm

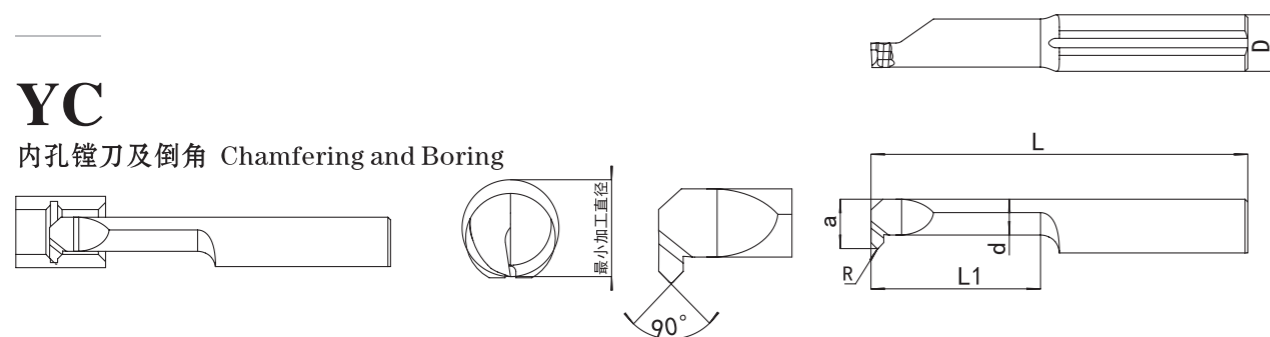
- P: 钢 Steel
- M: 不锈钢 Stainless steel
- K: 球墨铸铁 Ductile Cast Iron
- N: 有色金属/铝合金 Non-ferrous metal/Al-alloys
- S: 钛合金/高温合金 Titanium Alloys/High temp alloys
- H: 硬材料 Hardened materials
- ▲ 最适合 Most Suitable
- △ 适合 Suitabel

侧定位 带油槽出水

Side-locking with coolant hole

YC

内孔镗刀及倒角 Chamfering and Boring



型号规格 Specifications	a	d	L1	R	D	L	最小加工孔径 Min.Dia	T40	
								R	L
YC4.16.005	3.7	2.8	16	0.05	D4	32	4.0	●	○
YC5.21.010	4.4	3.1	21	0.1	D5	37	5.0	●	○
YC6.26.015	5.3	3.8	26	0.15	D6	42	6.0	●	○
YC7.41.020	6.3	4.4	41	0.2	D7	57	7.0	●	○

●标准库存 Stock ○需预定 Available Upon Order

P	△
M	△
K	△
N	
S	▲
H	▲

单位: mm
unit: mm

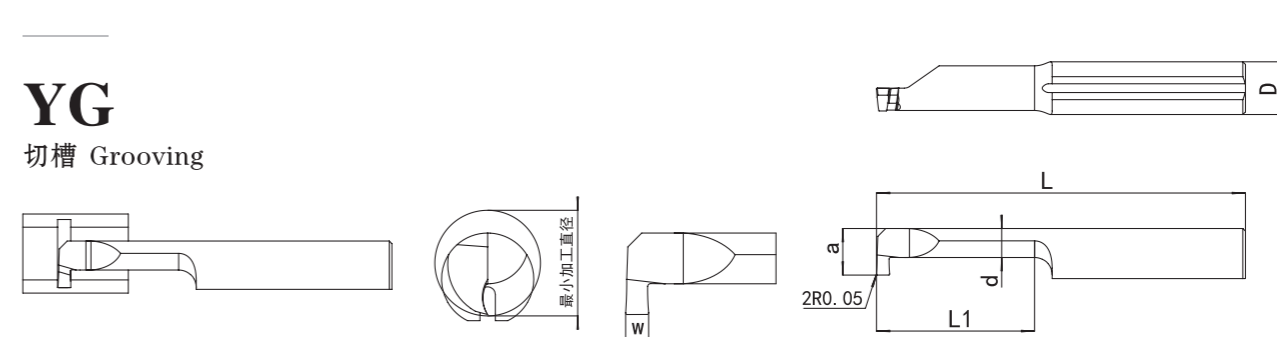
- P: 钢 Steel
- M: 不锈钢 Stainless steel
- K: 球墨铸铁 Ductile Cast Iron
- N: 有色金属/铝合金 Non-ferrous metal/Al-alloys
- S: 钛合金/高温合金 Titanium Alloys/High temp alloys
- H: 硬材料 Hardened materials
- ▲ 最适合 Most Suitable
- △ 适合 Suitabel

侧定位 带油槽出水

Side-locking with coolant hole

YG

切槽 Grooving



型号规格 Specifications	W	a	d	L1	D	L	最小加工孔径 Min.Dia	T40	
								R	L
YG2.06.05	0.5	1.75	1.15	6	D4	22	2.0	●	○
YG2.11.05				11		27		●	○
YG3.06.075	0.75	2.7	1.9	6	D4	22	3.0	●	○
YG3.11.075				11		27		●	○
YG4.11.10	1.0	3.5	2.4	11	D4	27	4.0	●	○
YG4.16.10				16		32		●	○
YG5.16.10	1.0	4.4	3.2	16	D5	32	5.0	●	○
YG5.21.10				21		37		●	○
YG5.26.10				26		42		●	○
YG5.31.10				31		47		●	○
YG5.16.15	1.5	4.4	3.2	16	D5	32	5.0	●	○
YG5.21.15				21		37		●	○
YG5.26.15				26		42		●	○
YG5.31.15				31		47		●	○
YG5.16.20	2.0	4.4	3.2	16	D5	32	5.0	●	○
YG5.21.20				21		37		●	○
YG5.26.20				26		42		●	○
YG5.31.20				31		47		●	○

●标准库存 Stock ○需预定 Available Upon Order

P	△
M	△
K	△
N	
S	▲
H	▲

单位: mm
unit: mm

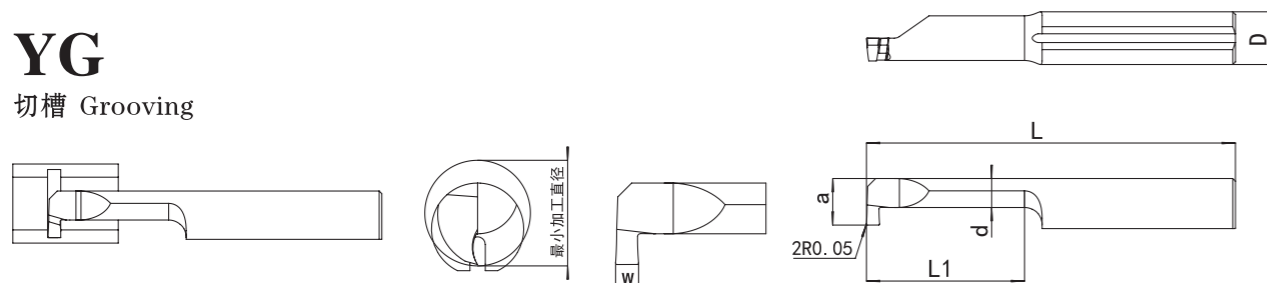
- P: 钢 Steel
- M: 不锈钢 Stainless steel
- K: 球墨铸铁 Ductile Cast Iron
- N: 有色金属/铝合金 Non-ferrous metal/Al-alloys
- S: 钛合金/高温合金 Titanium Alloys/High temp alloys
- H: 硬材料 Hardened materials
- ▲ 最适合 Most Suitable
- △ 适合 Suitabel

侧定位 带油槽出水

Side-locking with coolant hole

YG

切槽 Grooving



型号规格 Specifications	W	a	d	L1	D	L	最小加工孔径 Min.Dia	T40	
								R	L
YG6. 16. 10	1.0	5.3	3.3	16	D6	32	6.0	•	○
YG6. 21. 10				21		37		•	○
YG6. 26. 10				26		42		•	○
YG6. 36. 10				36		52		•	○
YG6. 16. 15	1.5	5.3	3.3	16	D6	32	6.0	•	○
YG6. 21. 15				21		37		•	○
YG6. 26. 15				26		42		•	○
YG6. 36. 15				36		52		•	○
YG6. 16. 20	2.0	5.3	3.3	16	D6	32	6.0	•	○
YG6. 21. 20				21		37		•	○
YG6. 26. 20				26		42		•	○
YG6. 36. 20				36		52		•	○

●标准库存 Stock ○需预定 Available Upon Order

P	△
M	△
K	△
N	
S	▲
H	▲

单位: mm
unit: mm

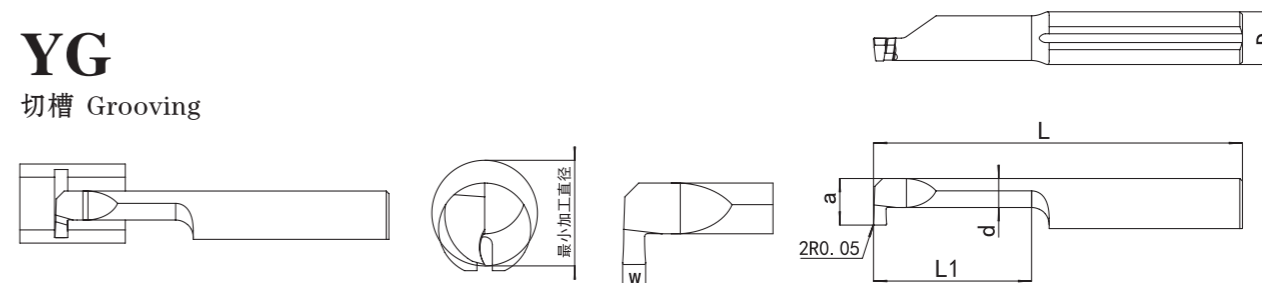
- P: 钢 Steel
- M: 不锈钢 Stainless steel
- K: 球墨铸铁 Ductile Cast Iron
- N: 有色金属/铝合金 Non-ferrous metal/Al-alloys
- S: 钛合金/高温合金 Titanium Alloys/High temp alloys
- H: 硬材料 Hardened materials
- ▲ 最适合 Most Suitable
- △ 适合 Suitabel

侧定位 带油槽出水

Side-locking with coolant hole

YG

切槽 Grooving



型号规格 Specifications	W	a	d	L1	D	L	最小加工孔径 Min.Dia	T40	
								R	L
YG7. 16. 10	1.0	6.3	3.6	16	D7	32	7.0	•	○
YG7. 26. 10				26		42		•	○
YG7. 31. 10				31		47		•	○
YG7. 36. 10				36		52		•	○
YG7. 46. 10				46		62		•	○
YG7. 16. 15	1.5	6.3	3.6	16	D7	32	7.0	•	○
YG7. 26. 15				26		42		•	○
YG7. 31. 15				31		47		•	○
YG7. 36. 15				36		52		•	○
YG7. 46. 15				46		62		•	○
YG7. 16. 20	2.0	6.3	3.6	16	D7	32	7.0	•	○
YG7. 26. 20				26		42		•	○
YG7. 31. 20				31		47		•	○
YG7. 36. 20				36		52		•	○
YG7. 41. 20				41		57		•	○

●标准库存 Stock ○需预定 Available Upon Order

P	△
M	△
K	△
N	
S	▲
H	▲

单位: mm
unit: mm

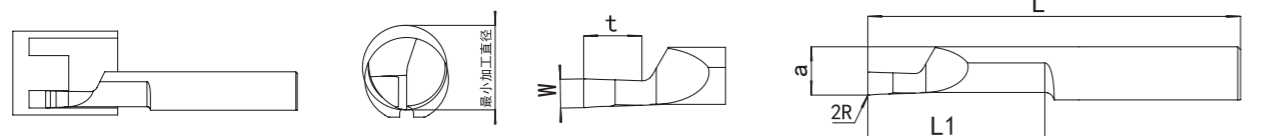
- P: 钢 Steel
- M: 不锈钢 Stainless steel
- K: 球墨铸铁 Ductile Cast Iron
- N: 有色金属/铝合金 Non-ferrous metal/Al-alloys
- S: 钛合金/高温合金 Titanium Alloys/High temp alloys
- H: 硬材料 Hardened materials
- ▲ 最适合 Most Suitable
- △ 适合 Suitabel

侧定位 带油槽出水

Side-locking with coolant hole

YF

端面切槽 Face Grooving



型号规格 Specifications	R	W	t	a	L1	D	L	最小加工孔径 Min.Dia	T40	
									R	L
YF5.21.003.10	0.03	1.0	2.0	4.2	21	D6	37	5.0	•	○
YF5.21.005.15		1.5	3.0						•	○
YF5.21.005.20		2.0	5.0						•	○
YF6.21.005.10	0.05	1.0	2.0	5.2	21	D6	37	6.0	•	○
YF6.21.005.15		1.5	3.0						•	○
YF6.21.005.20		2.0	5.0		•	○				
YF6.16.005.25		2.5	5.0		16	31	•		○	
YF8.21.008.10	0.08	1.0	2.0	5.9	21	D7	37	8.0	•	○
YF8.21.015.15	0.15	1.5	3.0						•	○
YF8.21.015.20		2.0	4.0						•	○
YF8.21.015.25		2.5	5.0						•	○
YF8.21.015.30		3.0	6.0						•	○

●标准库存 Stock ○需预定 Available Upon Order

P	△
M	△
K	△
N	
S	▲
H	▲

单位: mm
unit: mm

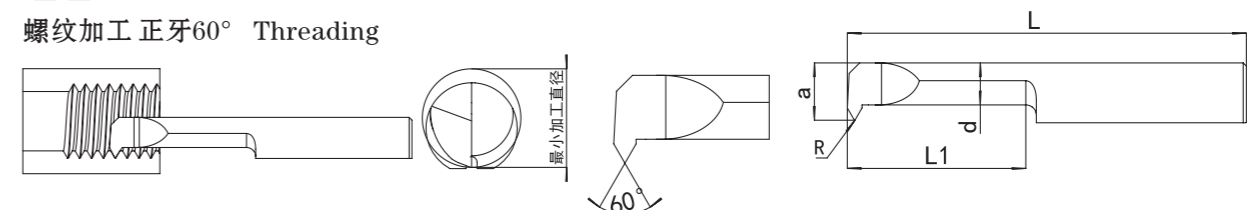
- P: 钢 Steel
- M: 不锈钢 Stainless steel
- K: 球墨铸铁 Ductile Cast Iron
- N: 有色金属/铝合金 Non-ferrous metal/Al-alloys
- S: 钛合金/高温合金 Titanium Alloys/High temp alloys
- H: 硬材料 Hardened materials
- ▲ 最适合 Most Suitable
- △ 适合 Suitabel

侧定位 带油槽出水

Side-locking with coolant hole

YI

螺纹加工 正牙60° Threading



型号规格 Specifications	a	d	L1	R	D	L	螺距 Pitch	每英寸牙数 Threads per inch	最小加工孔径 Min.Dia	T40	
										R	L
YI2.4.11.A60	2.2	1.6	11	0.03	D4	27	0.5-0.7	48-36	2.4	•	○
YI3.8.11.A60	3.7	2.8	11	0.03	D4	27	0.5-1.0	48-24	3.8	•	○
YI3.8.16.A60			16	0.03						•	○
YI4.8.16.A60 P1.0	4.7	3.2	16	0.03	D5	32	0.5-1.0	48-24	4.8	•	○
YI4.8.16.A60 P1.5				0.06			1.0-1.5	24-16		•	○
YI5.8.21.A60	5.5	4.0	21	0.03	D6	37	1.0-1.5	24-16	5.8	•	○

●标准库存 Stock ○需预定 Available Upon Order

P	△
M	△
K	△
N	
S	▲
H	▲

单位: mm
unit: mm

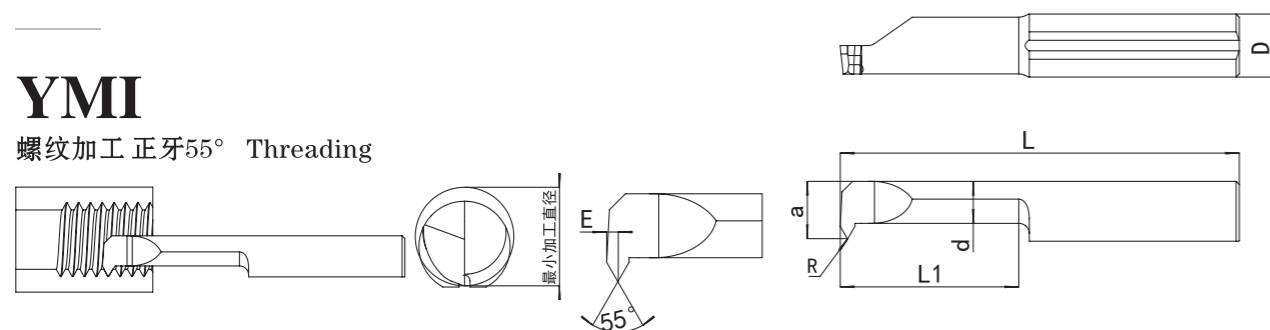
- P: 钢 Steel
- M: 不锈钢 Stainless steel
- K: 球墨铸铁 Ductile Cast Iron
- N: 有色金属/铝合金 Non-ferrous metal/Al-alloys
- S: 钛合金/高温合金 Titanium Alloys/High temp alloys
- H: 硬材料 Hardened materials
- ▲ 最适合 Most Suitable
- △ 适合 Suitabel

侧定位 带油槽出水

Side-locking with coolant hole

YMI

螺纹加工 正牙55° Threading



型号规格 Specifications	a	d	L1	R	D	L	E	每英寸牙数 Threads per inch	最小加工孔径 Min.Dia	T40	
										R	L
YMI4.2.11.A55	3.9	2.8	11	0.12	D4	27	0.5	28-24	4.2	•	○
YMI4.7.16.A55	3.9	3.3	16	0.17	D5	32	0.35	20-16	4.7	•	○

● 标准库存 Stock ○ 需预定 Available Upon Order

P	△
M	△
K	△
N	
S	▲
H	▲

单位: mm
unit: mm

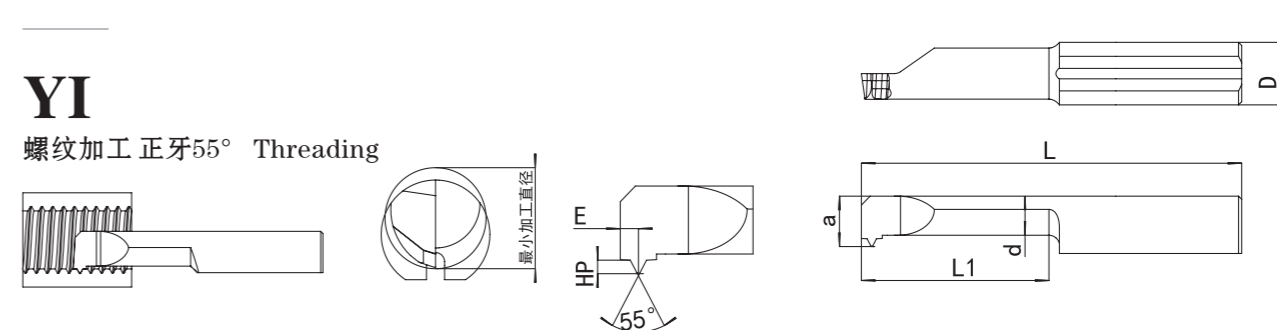
- P: 钢 Steel
- M: 不锈钢 Stainless steel
- K: 球墨铸铁 Ductile Cast Iron
- N: 有色金属/铝合金 Non-ferrous metal/Al-alloys
- S: 钛合金/高温合金 Titanium Alloys/High temp alloys
- H: 硬材料 Hardened materials
- ▲ 最适合 Most Suitable
- △ 适合 Suitabel

侧定位 带油槽出水

Side-locking with coolant hole

YI

螺纹加工 正牙55° Threading



型号规格 Specifications	a	d	L1	Hp	D	L	E	每英寸牙数 Threads per inch	最小加工孔径 Min.Dia	T40	
										R	L
YI5.2.16.A55	4.95	3.75	16	0.58	D5	32	0.8	28	1/16-28BSP/G1/16	•	○
YI6.2.16.A55	5.95	3.75	16	0.86	D6	32	1.0	19	1/4-19BSP/G1/4	•	○

● 标准库存 Stock ○ 需预定 Available Upon Order

P	△
M	△
K	△
N	
S	▲
H	▲

单位: mm
unit: mm

- P: 钢 Steel
- M: 不锈钢 Stainless steel
- K: 球墨铸铁 Ductile Cast Iron
- N: 有色金属/铝合金 Non-ferrous metal/Al-alloys
- S: 钛合金/高温合金 Titanium Alloys/High temp alloys
- H: 硬材料 Hardened materials
- ▲ 最适合 Most Suitable
- △ 适合 Suitabel

YSK 侧定位 带油槽出水定位套筒

YSK Series Toolholders

YSK

①

① YSK
系列名称 Series

20

②

② 套筒柄径
Shank Cross Section

20-20mm

22-22mm

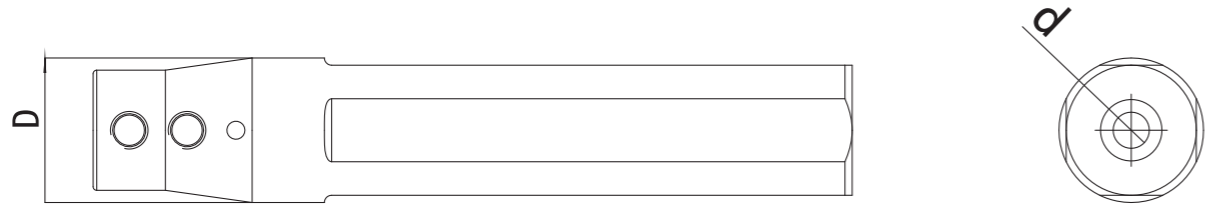
06

③

③ 刀具柄径
Bar Diameter

04-4mm

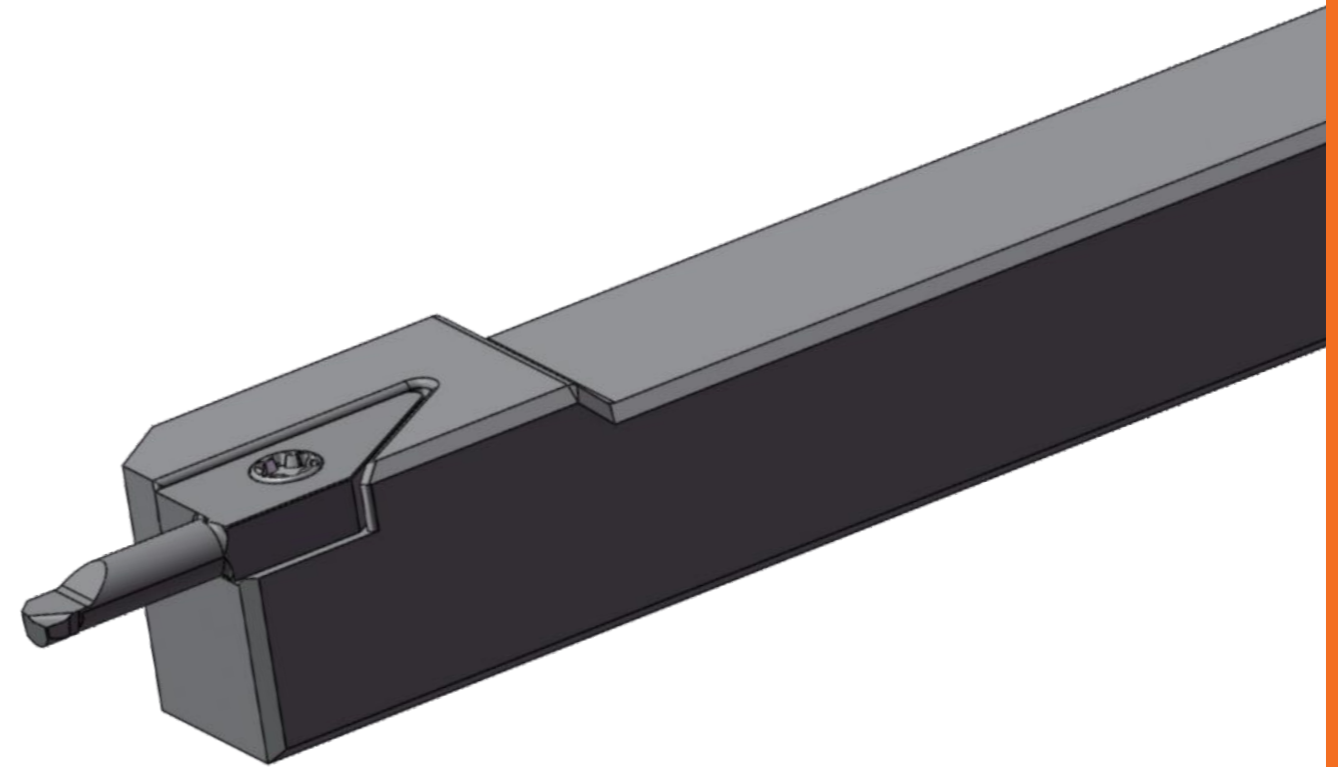
06-6mm



型号规格 Specifications	D	d
YSK1604	16	4
YSK1605		5
YSK1606		6
YSK1607		7

型号规格 Specifications	D	d
YSK2004	20	4
YSK2005		5
YSK2006		6
YSK2007		7

型号规格 Specifications	D	d
YSK2204	22	4
YSK2205		5
YSK2206		6
YSK2207		7

刀片式镗刀
Insert type Boring

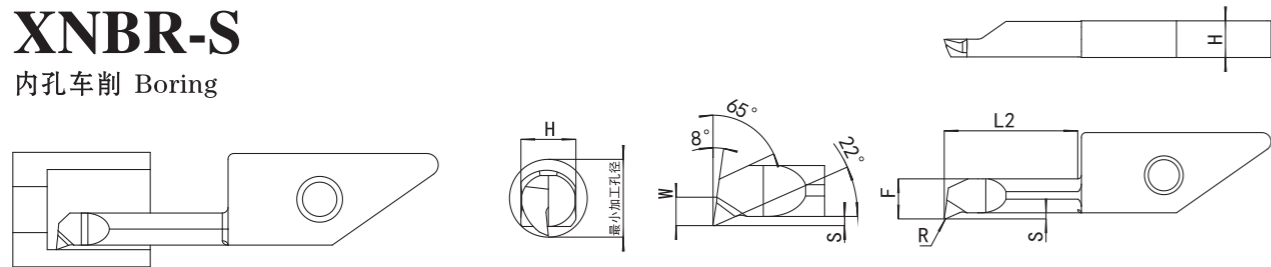
产品 System	XNBR-S	XNBR-NB	XNBTR	XNGR	XNFGR	XNTR	XNBR	
页码 Seite/Page	D61	D62	D63	D64	D65	D66	D67	

刀片式镗刀

Insert type Boring

XNBR-S

内孔车削 Boring



型号规格 Specifications	W	L2	F	S	R	H	最小加工孔径 Min.Dia
XNBR01505-005S	0.7	5	1.3	0.2	0.05	3.9	1.5
XNBR0206-01S	0.8	6	1.8	0.25	0.1	3.9	2.0
XNBR025085-01S	0.8	8.5	2.3	0.4	0.1	3.9	2.5
XNBR0311-01S	0.8	11	2.6	0.4	0.1	3.9	3.0
XNBR0311-02S					0.2		
XNBR03515-01S	0.8	15	3.0	0.5	0.1	3.9	3.5
XNBR0415-01S	0.8	15	3.5	0.5	0.1	3.9	4.0
XNBR0415-02S					0.2		
XNBR0515-01S	1.0	15	4.5	0.7	0.1	3.9	5.0
XNBR0515-02S					0.2		
XNBR0615-01S	1.2	15	5.3	1.0	0.1	3.9	6.0
XNBR0615-02S					0.2		

T10	T20	T30	T40
○	●	○	○
○	●	○	○
○	●	○	○
○	●	○	○
○	●	○	○
○	●	○	○
○	●	○	○
○	●	○	○
○	●	○	○
○	●	○	○
○	●	○	○
○	●	○	○
○	●	○	○
○	●	○	○
○	●	○	○

●标准库存 Stock ○需预定 Available Upon Order

P	M	K	N	S	H
▲	▲	△	△	△	△
▲	▲	△	△	△	△
▲	▲	△	△	△	△
▲	▲	△	△	△	△
▲	▲	△	△	△	△
▲	▲	△	△	△	△
▲	▲	△	△	△	△
▲	▲	△	△	△	△
▲	▲	△	△	△	△
▲	▲	△	△	△	△
▲	▲	△	△	△	△
▲	▲	△	△	△	△
▲	▲	△	△	△	△
▲	▲	△	△	△	△
▲	▲	△	△	△	△

单位: mm
unit: mm

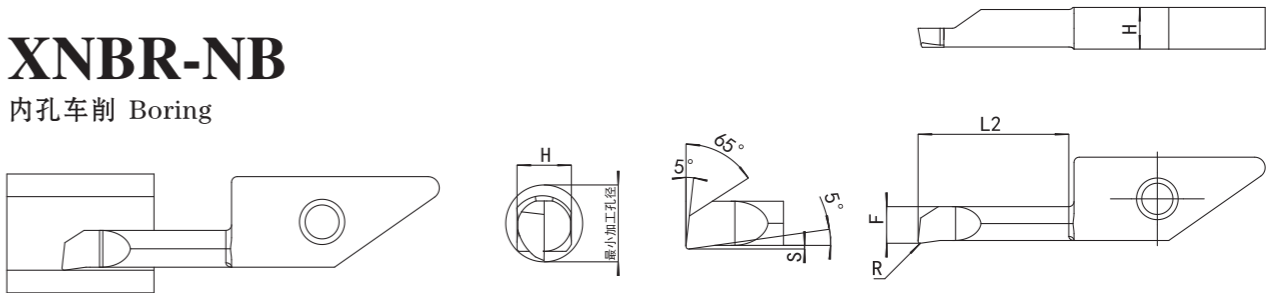
- P: 钢 Steel
- M: 不锈钢 Stainless steel
- K: 球墨铸铁 Ductile Cast Iron
- N: 有色金属/铝合金 Non-ferrous metal/Al-alloys
- S: 钛合金/高温合金 Titanium Alloys/High temp alloys
- H: 硬材料 Hardened materials
- ▲ 最适合 Most Suitable
- △ 适合 Suitabel

刀片式镗刀

Insert type Boring

XNBR-NB

内孔车削 Boring



型号规格 Specifications	L2	F	S	R	H	最小加工孔径 Min.Dia
XNBR0206-01NB	6	1.8	0.2	0.1	3.9	2.0
XNBR0206-02NB				0.2		
XNBR0311-01NB	11	2.6	0.25	0.1	3.9	3.0
XNBR0311-02NB				0.2		
XNBR0415-01NB	15	3.5	0.25	0.1	3.9	4.0
XNBR0415-02NB				0.2		
XNBR0515-01NB	15	4.5	0.25	0.1	3.9	5.0
XNBR0515-02NB				0.2		
XNBR0615-01NB	15	5.3	0.25	0.1	3.9	6.0
XNBR0615-02NB				0.2		

T10	T20	T30	T40
○	●	○	○
○	●	○	○
○	●	○	○
○	●	○	○
○	●	○	○
○	●	○	○
○	●	○	○
○	●	○	○
○	●	○	○
○	●	○	○
○	●	○	○
○	●	○	○
○	●	○	○
○	●	○	○
○	●	○	○

●标准库存 Stock ○需预定 Available Upon Order

P	M	K	N	S	H
▲	▲	△	△	△	△
▲	▲	△	△	△	△
▲	▲	△	△	△	△
▲	▲	△	△	△	△
▲	▲	△	△	△	△
▲	▲	△	△	△	△
▲	▲	△	△	△	△
▲	▲	△	△	△	△
▲	▲	△	△	△	△
▲	▲	△	△	△	△
▲	▲	△	△	△	△
▲	▲	△	△	△	△
▲	▲	△	△	△	△
▲	▲	△	△	△	△
▲	▲	△	△	△	△

单位: mm
unit: mm

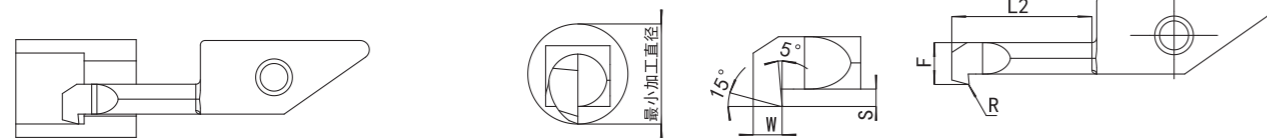
- P: 钢 Steel
- M: 不锈钢 Stainless steel
- K: 球墨铸铁 Ductile Cast Iron
- N: 有色金属/铝合金 Non-ferrous metal/Al-alloys
- S: 钛合金/高温合金 Titanium Alloys/High temp alloys
- H: 硬材料 Hardened materials
- ▲ 最适合 Most Suitable
- △ 适合 Suitabel

刀片式镗刀

Insert type Boring

XNBTR

反向镗削 Back Turning



型号规格 Specifications	W	L2	F	S	R	H	最小加工孔径 Min.Dia
XNBTR04150-005	1.5	15	3.6	1.0	0.05	3.9	4.0
XNBTR05150-005	1.5	15	4.6	1.3	0.05	3.9	5.0
XNBTR06150-005	1.5	15	5.6	1.5	0.05	3.9	6.0

●标准库存 Stock ○需预定 Available Upon Order

T10	T20	T30	T40
○	●	○	○
○	●	○	○
○	●	○	○

P	▲	△	▲	△
M	▲	▲	△	△
K	△	△	△	△
N	△	△	▲	
S	△	△		▲
H	△	△		▲

单位: mm
unit: mm

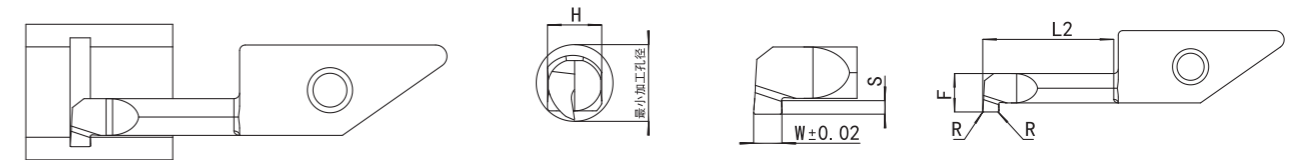
- P: 钢 Steel
- M: 不锈钢 Stainless steel
- K: 球墨铸铁 Ductile Cast Iron
- N: 有色金属/铝合金 Non-ferrous metal/Al-alloys
- S: 钛合金/高温合金 Titanium Alloys/High temp alloys
- H: 硬材料 Hardened materials
- ▲ 最适合 Most Suitable
- △ 适合 Suitabel

刀片式镗刀

Insert type Boring

XNGR

切槽 Grooving



型号规格 Specifications	W	S	F	L2	R	H	最小加工孔径 Min.Dia
XNGR0410-11	1.0	0.8	3.5	11	0.05	3.9	4.0
XNGR0420-11	2.0						
XNGR0510-11	1.0	1.2	4.4	11	0.05	3.9	5.0
XNGR0520-11	2.0						
XNGR0610-15	1.0	2.0	5.2	15	0.05	3.9	6.0
XNGR0620-15	2.0						
XNGR0710-15	1.0	2.0	6.2	15	0.05	3.9	7.0
XNGR0720-15	2.0						

●标准库存 Stock ○需预定 Available Upon Order

T10	T20	T30	T40
○	●	○	○
○	●	○	○
○	●	○	○
○	●	○	○
○	●	○	○
○	●	○	○
○	●	○	○

P	▲	△	▲	△
M	▲	▲	△	△
K	△	△	△	△
N	△	△	▲	
S	△	△		▲
H	△	△		▲

单位: mm
unit: mm

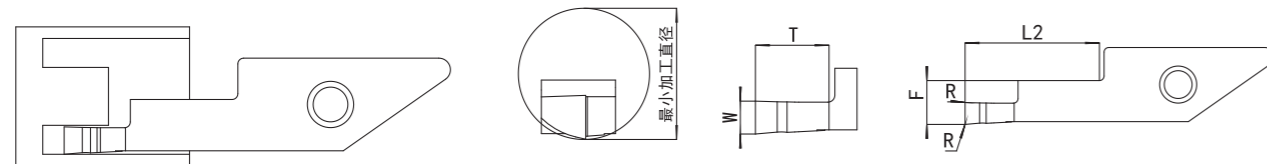
- P: 钢 Steel
- M: 不锈钢 Stainless steel
- K: 球墨铸铁 Ductile Cast Iron
- N: 有色金属/铝合金 Non-ferrous metal/Al-alloys
- S: 钛合金/高温合金 Titanium Alloys/High temp alloys
- H: 硬材料 Hardened materials
- ▲ 最适合 Most Suitable
- △ 适合 Suitabel

刀片式镗刀

Insert type Boring

XNFGR

端面切槽 Face Grooving



型号规格 Specifications	W	T	L2	F	R	H	最小加工孔径 Min.Dia
XNFGR0810-10	1.0	3	10	4.4	0.05	3.9	8.0
XNFGR0820-10	2.0	5	10	4.4	0.05	3.9	8.0
XNFGR0830-10	3.0	6	10	4.4	0.05	3.9	8.0
XNFGR0840-12	4.0	12	12	4.0	0.3	3.9	8.0

T10	T20	T30	T40
○	●	○	○
○	●	○	○
○	●	○	○
○	●	○	○

●标准库存 Stock ○需预定 Available Upon Order

P	▲	△	▲	△
M	▲	▲	△	△
K	△	△	△	△
N	△	△	▲	
S	△	△		▲
H	△	△		▲

单位: mm
unit: mm

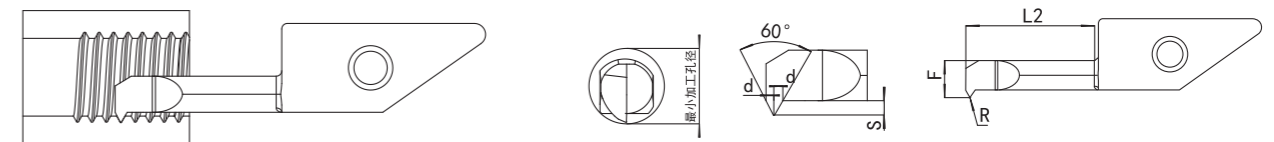
- P: 钢 Steel
- M: 不锈钢 Stainless steel
- K: 球墨铸铁 Ductile Cast Iron
- N: 有色金属/铝合金 Non-ferrous metal/Al-alloys
- S: 钛合金/高温合金 Titanium Alloys/High temp alloys
- H: 硬材料 Hardened materials
- ▲ 最适合 Most Suitable
- △ 适合 Suitabel

刀片式镗刀

Insert type Boring

XNTR

螺纹加工 正牙60° Threading



型号规格 Specifications	L2	F	S	d	R	H	螺距 Pitch	最小加工孔径 Min.Dia
XNTR014-05	5	1.4	0.5	0.4	0.05	3.9	0.4	1.6
XNTR018-06	6	1.8	0.5	0.4	0.05	3.9	0.35-0.45	2.1
XNTR024-06	6	2.4	0.5	0.4	0.05	3.9	0.35-0.6	2.6
XNTR030-11	11	3.0	0.8	0.5	0.05	3.9	0.5-0.8	3.3
XNTR045-11	11	3.6	1.3	0.6	0.05	3.9	0.75-1.25	4.5
XNTR060-11	11	4.6	1.6	0.8	0.05	3.9	0.75-1.5	6.0

T10	T20	T30	T40
○	●	○	○
○	●	○	○
○	●	○	○
○	●	○	○

●标准库存 Stock ○需预定 Available Upon Order

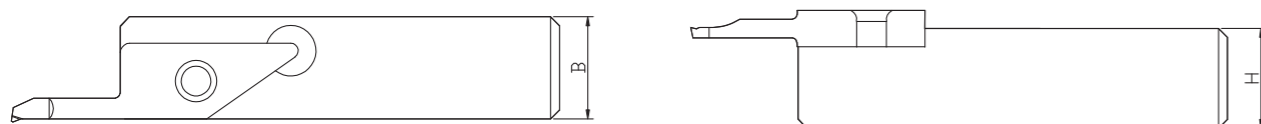
P	▲	△	▲	△
M	▲	▲	△	△
K	△	△	△	△
N	△	△	▲	
S	△	△		▲
H	△	△		▲

单位: mm
unit: mm

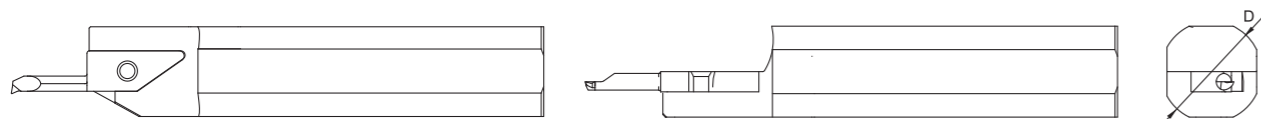
- P: 钢 Steel
- M: 不锈钢 Stainless steel
- K: 球墨铸铁 Ductile Cast Iron
- N: 有色金属/铝合金 Non-ferrous metal/Al-alloys
- S: 钛合金/高温合金 Titanium Alloys/High temp alloys
- H: 硬材料 Hardened materials
- ▲ 最适合 Most Suitable
- △ 适合 Suitabel

XNBR 刀片式镗刀定位刀杆

XNBR Series Toolholders



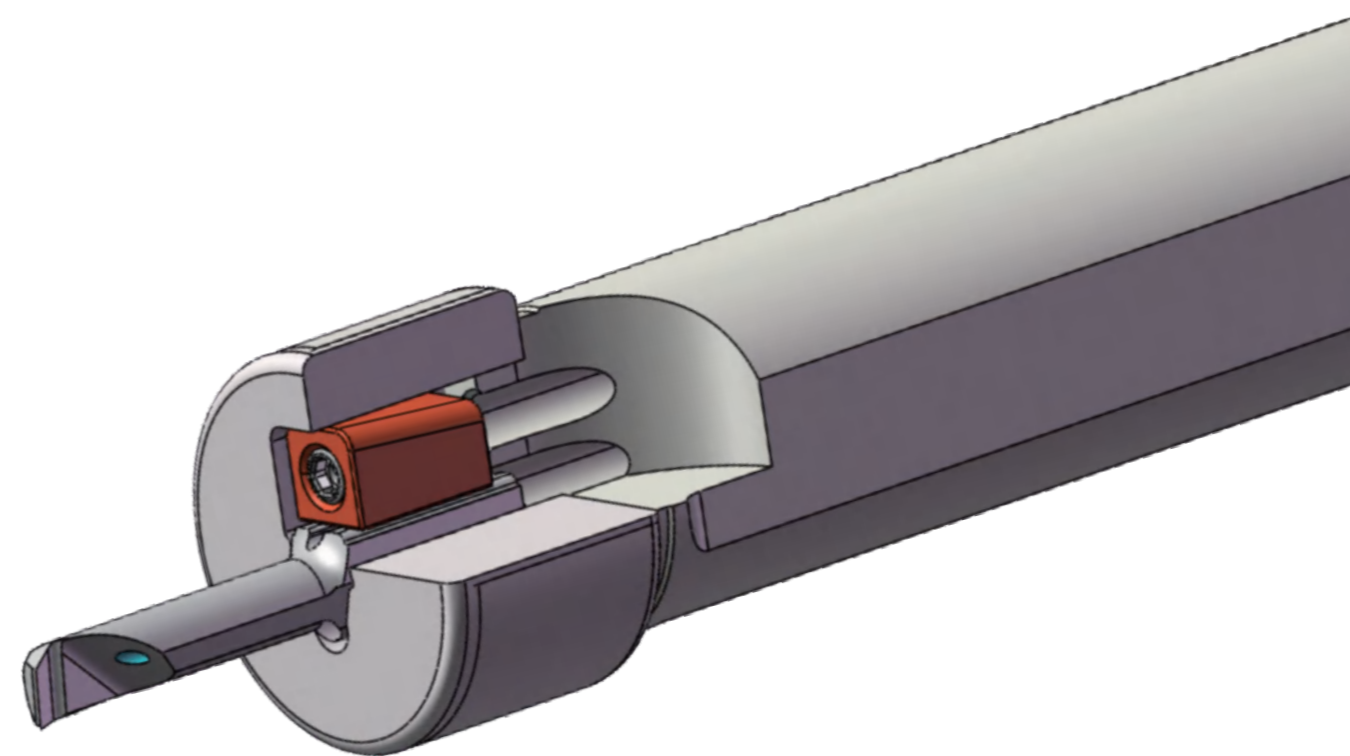
型号规格 Specifications	H	B
方刀杆XNBR1010	10	10
方刀杆XNBR1212	12	12
方刀杆XNBR1616	16	16
方刀杆XNBR2020	20	20



型号规格 Specifications	D
圆刀杆SΦ12H-XNBR	Φ12
圆刀杆SΦ16H-XNBR	Φ16
圆刀杆SΦ19.05H-XNBR	Φ19.05
圆刀杆SΦ20H-XNBR	Φ20
圆刀杆SΦ22H-XNBR	Φ22
圆刀杆SΦ25.4H-XNBR	Φ25.4

三角定位 带油槽出水

Triangular locking with coolant hole



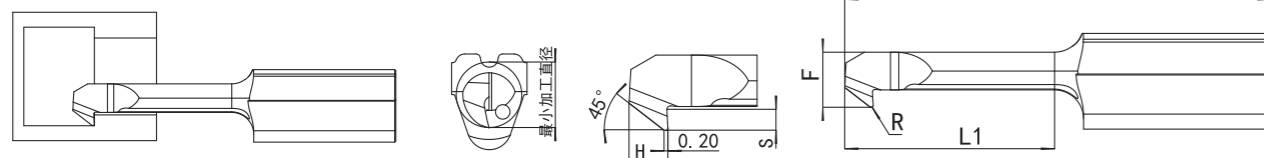
产品 System	CBNR	CBTR	CBPR	CBQR	CBUR	CBXR	CBGR	CBKR	CBVR	CBVL	CBIR	CBR
页码 Seite/Page	E68	E70	E72	E74	E75	E76	E77	E78	E79	E80	E81	E83

三角定位 带油槽出水

Triangular locking with coolant hole

CBXR

反向镗削 Back Turning



型号规格 Specifications	F	S	H	L1	L	R	最小加工孔径 Min.Dia
CBXR300 100 R010	2.8	1.0	1.0	10	25	0.1	3.0
CBXR400 100 R010	3.8	1.0	1.0	10	25	0.1	4.0
CBXR400 200 R010				20	35		
CBXR500 150 R010	4.8	1.5	1.5	15	30	0.1	5.0
CBXR500 300 R010				30	45		
CBXR600 150 R010	5.8	1.5	1.5	15	30	0.1	6.0
CBXR600 300 R010				30	45		
CBXR700 150 R010	6.4	1.5	1.5	15	30	0.1	7.0
CBXR700 300 R010				30	45		

●标准库存 Stock ○需预定 Available Upon Order

无涂层 uncoated	T10	T20	T30	T40
○	●	○	●	○
○	●	○	●	○
○	●	○	●	○
○	●	○	●	○
○	●	○	●	○
○	●	○	●	○
○	●	○	●	○
○	●	○	●	○
○	●	○	●	○
○	●	○	●	○

P	▲	△	▲	△
M	▲	▲	△	△
K	△	△	△	△
N	▲	△	▲	
S		△		▲
H		△		▲

单位: mm
unit: mm

P: 钢 Steel

M: 不锈钢 Stainless steel

K: 球墨铸铁 Ductile Cast Iron

N: 有色金属/铝合金 Non-ferrous metal/Al-alloys

S: 钛合金/高温合金 Titanium Alloys/High temp alloys

H: 硬材料 Hardened materials

▲ 最适合 Most Suitable

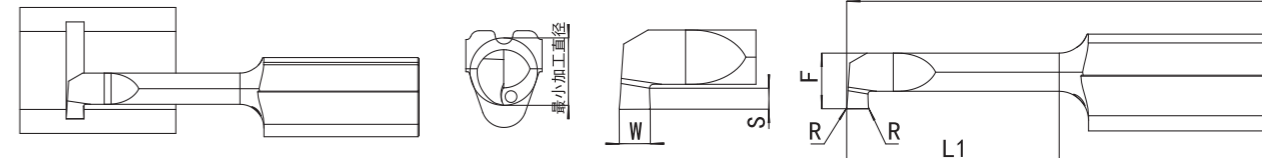
△ 适合 Suitabel

三角定位 带油槽出水

Triangular locking with coolant hole

CBGR

切槽 Grooving



型号规格 Specifications	F	W	S	L1	L	R	最小加工孔径 Min.Dia
CBGR030 100 D30	2.8	0.3	0.5	10	25	0.05	3.0
CBGR100 100 D30		1.0	0.8				
CBGR050 100 D40	3.8	0.5	1.0	10	25	0.05	4.0
CBGR100 100 D40		1.0					
CBGR150 100 D40		1.5					
CBGR100 100 D50	4.7	1.0	1.2	10	25	0.05	5.0
CBGR150 100 D50		1.5					
CBGR200 100 D50		2.0					
CBGR100 100 D60	5.7	1.0	2.0	10	25	0.05	6.0
CBGR150 100 D60		1.5					
CBGR200 100 D60		2.0					
CBGR250 100 D60		2.5					
CBGR100 100 D70	6.2	1.0	2.5	10	25	0.05	7.0
CBGR150 100 D70		1.5					
CBGR200 100 D70		2.0					
CBGR100 200 D70	6.2	1.0	2.5	20	35	0.05	7.0
CBGR150 200 D70		1.5					
CBGR200 200 D70		2.0					
CBGR100 300 D70	6.2	1.0	2.5	30	45	0.05	7.0
CBGR150 300 D70		1.5					
CBGR200 300 D70		2.0					

●标准库存 Stock ○需预定 Available Upon Order

无涂层 uncoated	T10	T20	T30	T40
○	●	○	●	○
○	●	○	●	○
○	●	○	●	○
○	●	○	●	○
○	●	○	●	○
○	●	○	●	○
○	●	○	●	○
○	●	○	●	○
○	●	○	●	○
○	●	○	●	○
○	●	○	●	○
○	●	○	●	○
○	●	○	●	○
○	●	○	●	○
○	●	○	●	○
○	●	○	●	○
○	●	○	●	○
○	●	○	●	○
○	●	○	●	○

P: 钢 Steel

M: 不锈钢 Stainless steel

K: 球墨铸铁 Ductile Cast Iron

N: 有色金属/铝合金 Non-ferrous metal/Al-alloys

S: 钛合金/高温合金 Titanium Alloys/High temp alloys

H: 硬材料 Hardened materials

▲ 最适合 Most Suitable

△ 适合 Suitabel

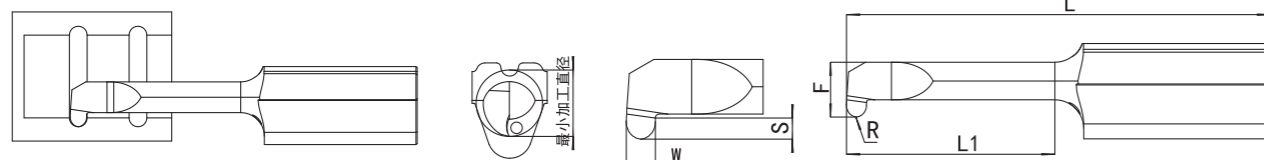
单位: mm
unit: mm

三角定位 带油槽出水

Triangular locking with coolant hole

CBKR

圆弧切槽 Full Radius Grooving



型号规格 Specifications	F	R	W	S	L1	L	最小加工孔径 Min.Dia
CBKR400 100 R050	3.8	0.5	1.0	1.0	10	25	4.0
CBKR400 100 R075		0.75	1.5				
CBKR500 150 R050	4.8	0.5	1.0	1.2	15	30	5.0
CBKR500 150 R075		0.75	1.5				
CBKR500 150 R100		1.0	2.0				
CBKR600 150 R050	5.8	0.5	1.0	1.6	15	30	6.0
CBKR600 150 R075		0.75	1.5				
CBKR600 150 R100		1.0	2.0				

●标准库存 Stock ○需预定 Available Upon Order

无涂层 uncoated	T10	T20	T30	T40
○	●	○	●	○
○	●	○	●	○
○	●	○	●	○
○	●	○	●	○
○	●	○	●	○
○	●	○	●	○
○	●	○	●	○
○	●	○	●	○
○	●	○	●	○
○	●	○	●	○

P	▲	△	▲	△
M	▲	▲	△	△
K	△	△	△	△
N	▲	△	▲	
S	△	△		▲
H	△	△		▲

单位: mm
unit: mm

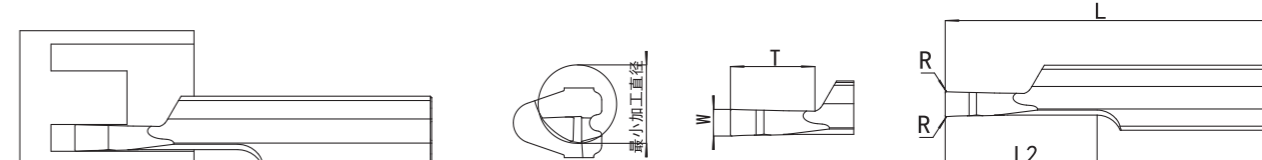
P: 钢 Steel
M: 不锈钢 Stainless steel
K: 球墨铸铁 Ductile Cast Iron
N: 有色金属/铝合金 Non-ferrous metal/Al-alloys
S: 钛合金/高温合金 Titanium Alloys/High temp alloys
H: 硬材料 Hardened materials
▲ 最适合 Most Suitable
△ 适合 Suitabel

三角定位 带油槽出水

Triangular locking with coolant hole

CBVR

端面切槽 Face Grooving



型号规格 Specifications	W	T	L2	L	R	最小加工孔径 Min.Dia
CBVR080 150 W0.5	0.5	1.5	15	30	0.05	8.0
CBVR080 150 W1.0	1.0	4.0				
CBVR080 150 W1.5	1.5	5.0				
CBVR080 150 W2.0	2.0	8.0				
CBVR100 220 W1.0	1.0	4.0	22	35	0.1	20.0
CBVR100 220 W1.5	1.5	6.0				
CBVR100 220 W2.0	2.0	10.0				
CBVR100 220 W2.5	2.5	10.0				
CBVR100 220 W3.0	3.0	12.0				
CBVR100 220 W4.0	4.0	15.0				

●标准库存 Stock ○需预定 Available Upon Order

无涂层 uncoated	T10	T20	T30	T40
○	●	○	●	○
○	●	○	●	○
○	●	○	●	○
○	●	○	●	○
○	●	○	●	○
○	●	○	●	○
○	●	○	●	○
○	●	○	●	○
○	●	○	●	○
○	●	○	●	○

P	▲	△	▲	△
M	▲	▲	△	△
K	△	△	△	△
N	▲	△	▲	
S	△	△		▲
H	△	△		▲

单位: mm
unit: mm

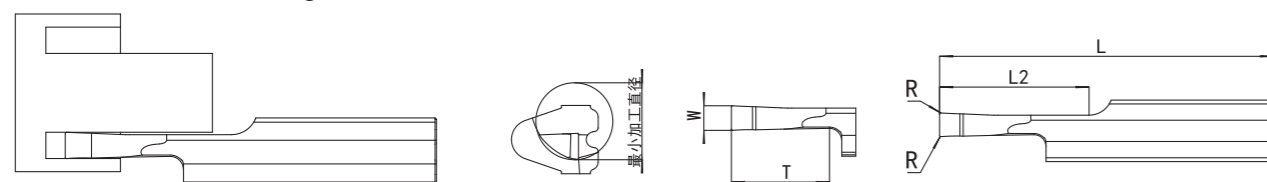
P: 钢 Steel
M: 不锈钢 Stainless steel
K: 球墨铸铁 Ductile Cast Iron
N: 有色金属/铝合金 Non-ferrous metal/Al-alloys
S: 钛合金/高温合金 Titanium Alloys/High temp alloys
H: 硬材料 Hardened materials
▲ 最适合 Most Suitable
△ 适合 Suitabel

三角定位 带油槽出水

Triangular locking with coolant hole

CBVL

端面切槽 Face Grooving



型号规格 Specifications	W	T	L2	L	R	最小加工孔径 Min.Dia
CBVL080 150 W0.5	0.5	1.5	15	30	0.05	8.0
CBVL080 150 W1.0	1.0	4.0				
CBVL080 150 W1.5	1.5	5.0				
CBVL080 150 W2.0	2.0	8.0				
CBVL100 220 W1.0	1.0	4.0	22	35	0.1	20.0
CBVL100 220 W1.5	1.5	6.0				
CBVL100 220 W2.0	2.0	10.0				
CBVL100 220 W2.5	2.5	10.0				
CBVL100 220 W3.0	3.0	12.0				
CBVL100 220 W4.0	4.0	15.0				

无涂层 uncoated	T10	T20	T30	T40
○	●	○	●	○
○	●	○	●	○
○	●	○	●	○
○	●	○	●	○
○	●	○	●	○
○	●	○	●	○
○	●	○	●	○
○	●	○	●	○
○	●	○	●	○
○	●	○	●	○
○	●	○	●	○
○	●	○	●	○

●标准库存 Stock ○需预定 Available Upon Order

P	▲	△	▲	△
M	▲	▲	△	△
K	△	△	△	△
N	▲	△	▲	
S	△	△		▲
H	△	△		▲

单位: mm
unit: mm

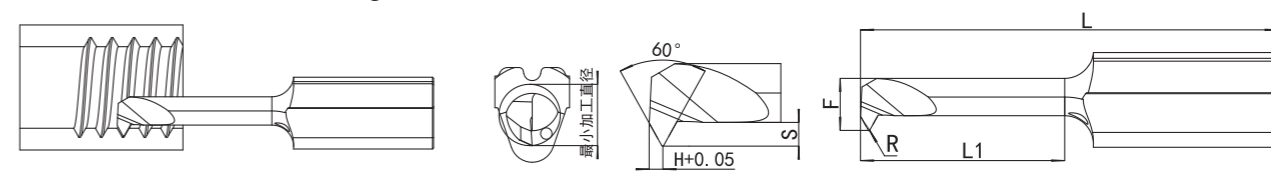
P: 钢 Steel
M: 不锈钢 Stainless steel
K: 球墨铸铁 Ductile Cast Iron
N: 有色金属/铝合金 Non-ferrous metal/Al-alloys
S: 钛合金/高温合金 Titanium Alloys/High temp alloys
H: 硬材料 Hardened materials
▲ 最适合 Most Suitable
△ 适合 Suitabel

三角定位 带油槽出水

Triangular locking with coolant hole

CBIR

螺纹加工 正牙 60° Threading



型号规格 Specifications	F	S	H	L1	L	R	最小加工孔径 Min.Dia
CBIR300 100 A60 R005	2.8	0.7	0.5	10	25	0.05	3.0
CBIR300 150 A60 R005				15	30		
CBIR400 100 A60 R005	3.7	1.1	0.6	10	25	0.05	4.0
CBIR400 150 A60 R005				15	30		
CBIR500 100 A60 R010	4.7	1.3	0.6	10	25	0.1	5.0
CBIR500 200 A60 R010				20	35		
CBIR500 300 A60 R010				30	45		
CBIR600 100 A60 R015	6.0	1.7	0.8	10	25	0.15	7.0
CBIR600 200 A60 R015				20	35		
CBIR600 300 A60 R015				30	45		

无涂层 uncoated	T10	T20	T30	T40
○	●	○	●	○
○	●	○	●	○
○	●	○	●	○
○	●	○	●	○
○	●	○	●	○
○	●	○	●	○
○	●	○	●	○
○	●	○	●	○
○	●	○	●	○
○	●	○	●	○
○	●	○	●	○
○	●	○	●	○

●标准库存 Stock ○需预定 Available Upon Order

P	▲	△	▲	△
M	▲	▲	△	△
K	△	△	△	△
N	▲	△	▲	
S	△	△		▲
H	△	△		▲

单位: mm
unit: mm

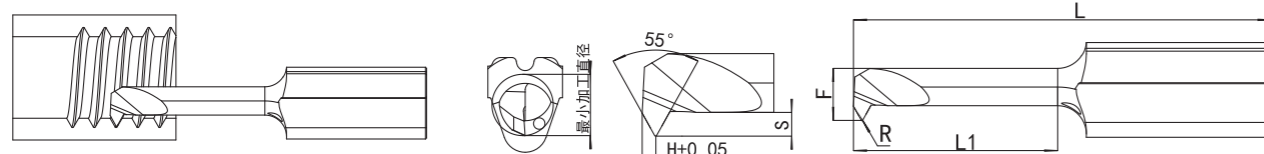
P: 钢 Steel
M: 不锈钢 Stainless steel
K: 球墨铸铁 Ductile Cast Iron
N: 有色金属/铝合金 Non-ferrous metal/Al-alloys
S: 钛合金/高温合金 Titanium Alloys/High temp alloys
H: 硬材料 Hardened materials
▲ 最适合 Most Suitable
△ 适合 Suitabel

三角定位 带油槽出水

Triangular locking with coolant hole

CBIR

螺纹加工 正牙 55° Threading



型号规格 Specifications	F	S	H	L1	L	R	最小加工孔径 Min. Dia
CBIR300 100 A55 R005	2.8	0.7	0.5	10	25	0.10	3.0
CBIR300 150 A55 R005				15	30		
CBIR400 100 A55 R005	3.7	1.1	0.6	10	25	0.10	4.0
CBIR400 150 A55 R005				15	30		
CBIR500 100 A55 R010	4.7	1.3	0.6	10	25	0.2	5.0
CBIR500 200 A55 R010				20	35		
CBIR500 300 A55 R010				30	45		
CBIR600 100 A55 R015	6.0	1.7	0.8	10	25	0.2	7.0
CBIR600 200 A55 R015				20	35		
CBIR600 300 A55 R015				30	45		

无涂层 uncoated	T10	T20	T30	T40
○	●	○	●	○
○	●	○	●	○
○	●	○	●	○
○	●	○	●	○
○	●	○	●	○
○	●	○	●	○
○	●	○	●	○
○	●	○	●	○
○	●	○	●	○
○	●	○	●	○
○	●	○	●	○
○	●	○	●	○

● 标准库存 Stock ○ 需预定 Available Upon Order

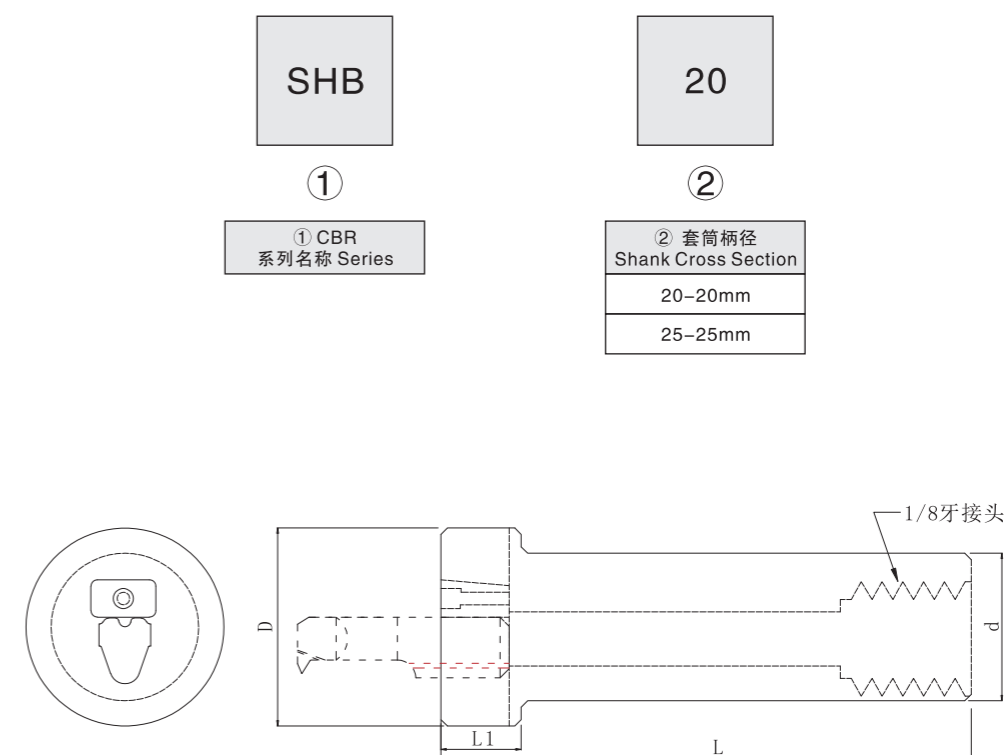
P	▲	△	▲	△
M	▲	▲	△	△
K		△	△	△
N	▲	△	▲	
S		△		▲
H		△		▲

单位: mm
unit: mm

P: 钢 Steel
M: 不锈钢 Stainless steel
K: 球墨铸铁 Ductile Cast Iron
N: 有色金属/铝合金 Non-ferrous metal/Al-alloys
S: 钛合金/高温合金 Titanium Alloys/High temp alloys
H: 硬材料 Hardened materials
▲ 最适合 Most Suitable
△ 适合 Suitable

CBR 三角定位 带油槽出水定位套筒

SHB Series Toolholders

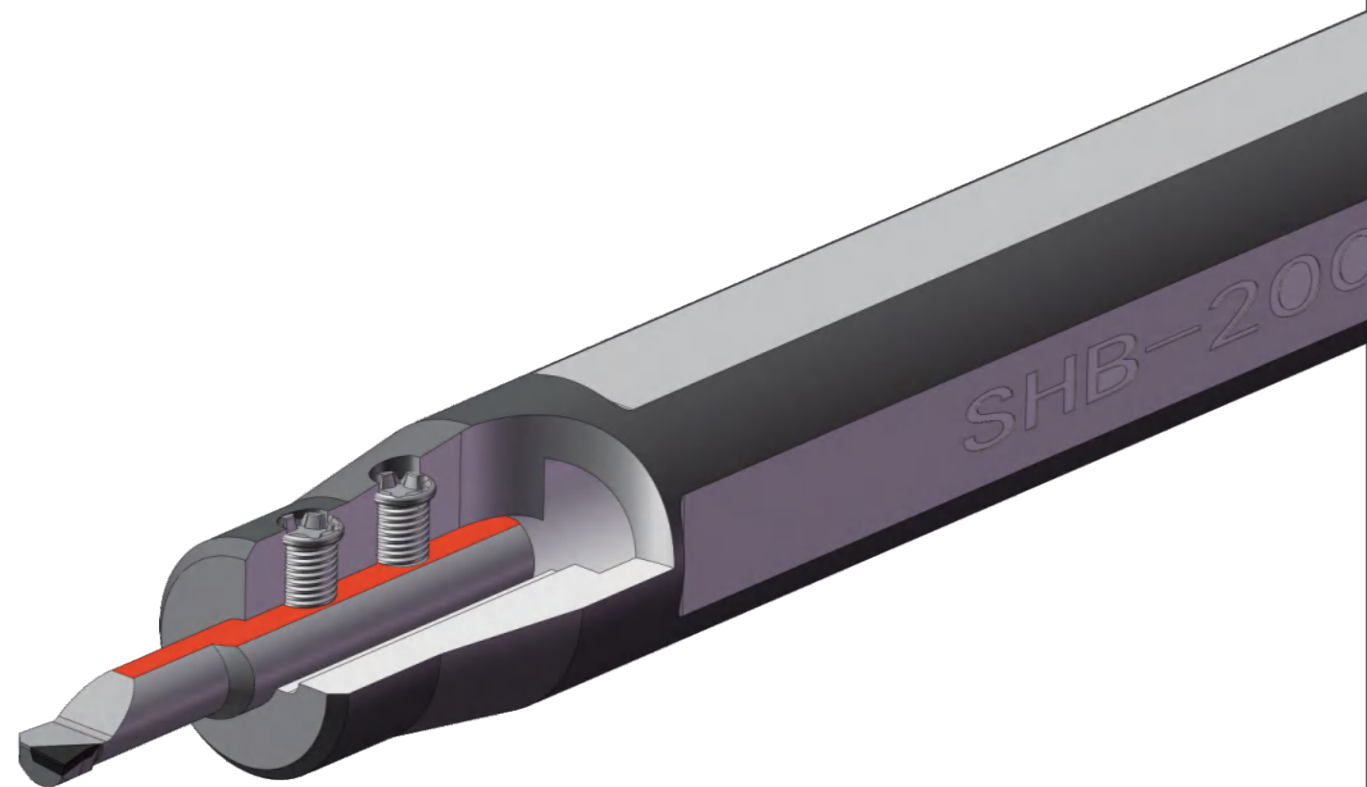


型号规格 Specifications	d	D	L	L1
CBR 16	16	24	80	15
CBR 19.05	19.05			
CBR 20	20			
CBR 22	22			
CBR 25.4	25.4	25.4		

单位: mm
unit: mm

超硬系列

PCD CBN



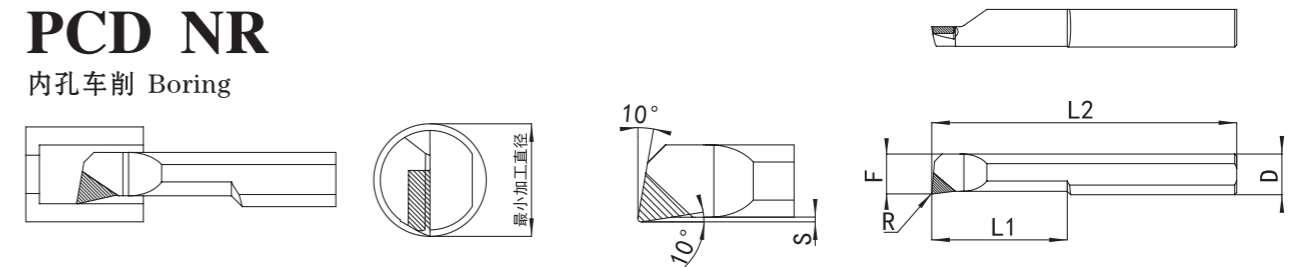
产品 System	PCD NR	通柄	PCD QR	PCD XR	PCD WR	PCD IR	CBN NR	CBN QR	CBN IR	SBJ	CA	冲头
页码 Seite/Page	F84	F85	F86	F87	F88	F89	F90	F91	F92	G93	G94	H95

超硬系列

PCD CBN

PCD NR

内孔车削 Boring



型号规格 Specifications	F	S	L1	L	R	D	最小加工孔径 Min.Dia	PCD	
								R	L
PCD NR2 7L R0.1	1.8	0.2	7	50	0.1	D4	2.0	•	○
PCD NR2.5 10L R0.1	2.3	0.3	10	50	0.1	D4	2.5	•	○
PCD NR2.5 10L R0.2	2.3	0.3	10	50	0.2	D4	2.5	•	○
PCD NR3 10L R0.1	2.8	0.4	10	50	0.1	D4	3.0	•	○
PCD NR3 10L R0.2	2.8	0.4	10	50	0.2	D4	3.0	•	○

● 标准库存 Stock 需预定 Available Upon Order

P	
M	
K	
N	▲
S	
H	

R:右 Right
L:左 Left
单位: mm
unit:mm

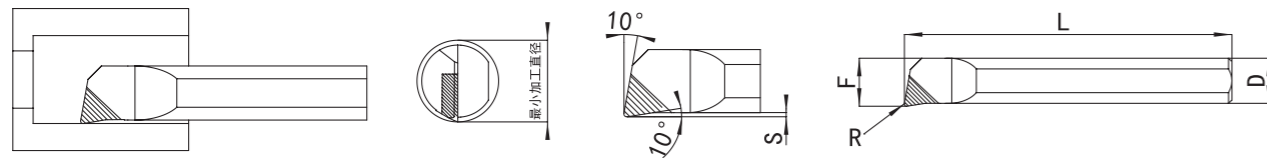
- P: 钢 Steel
- M: 不锈钢 Stainless steel
- K: 球墨铸铁 Ductile Cast Iron
- N: 有色金属/铝合金 Non-ferrous metal/Al-alloys
- S: 钛合金/高温合金 Titanium Alloys/High temp alloys
- H: 硬材料 Hardened materials
- ▲ 最适合 Most Suitable
- △ 适合 Suitabel

超硬系列

PCD CBN

通柄

内孔车削 Boring



型号规格 Specifications	F	S	L	R	D	最小加工孔径 Min.Dia	PCD	
							R	L
PCD3.4 60L R0.1-D3	3.4	0.4	60	0.1	D3	3.8	•	○
PCD3.4 60L R0.2-D3				0.2			•	○
PCD3.4 60L R0.4-D3				0.4			•	○
PCD4.5 75L R0.1-D4	4.5	0.5	75	0.1	D4	4.8	•	○
PCD4.5 75L R0.2-D4				0.2			•	○
PCD4.5 75L R0.4-D4				0.4			•	○
PCD4.5 100L R0.2-D4	4.5	0.5	100	0.2	D4	4.8	•	○
PCD4.5 100L R0.4-D4				0.4			•	○
PCD5.6 75L R0.1-D5	5.6	0.6	75	0.1	D5	6.0	•	○
PCD5.6 75L R0.2-D5				0.2			•	○
PCD5.6 75L R0.4-D5				0.4			•	○
PCD5.6 100L R0.2-D5	5.6	0.6	100	0.2	D5	6.0	•	○
PCD5.6 100L R0.4-D5				0.4			•	○
PCD6.6 75L R0.1-D6	6.6	0.6	75	0.1	D6	7.0	•	○
PCD6.6 75L R0.2-D6				0.2			•	○
PCD6.6 75L R0.4-D6				0.4			•	○
PCD6.6 100L R0.2-D6	6.6	0.6	100	0.2	D6	7.0	•	○
PCD6.6 100L R0.4-D6				0.4			•	○
PCD8.7 75L R0.1-D8	8.7	0.7	75	0.1	D8	9.0	•	○
PCD8.7 75L R0.2-D8				0.2			•	○
PCD8.7 75L R0.4-D8				0.4			•	○
PCD8.7 100L R0.2-D8	8.7	0.7	100	0.2	D8	9.0	•	○
PCD8.7 100L R0.4-D8				0.4			•	○
PCD10.7 75L R0.2-D10	10.7	0.7	75	0.2	D10	11.0	•	○
PCD10.7 75L R0.4-D10				0.4			•	○

●标准库存 Stock ○需预定 Available Upon Order

- P: 钢 Steel
- M: 不锈钢 Stainless steel
- K: 球墨铸铁 Ductile Cast Iron
- N: 有色金属/铝合金 Non-ferrous metal/Al-alloys
- S: 钛合金/高温合金 Titanium Alloys/High temp alloys
- H: 硬材料 Hardened materials
- ▲ 最适合 Most Suitable
- △ 适合 Suitabel

P	
M	
K	
N	▲
S	
H	

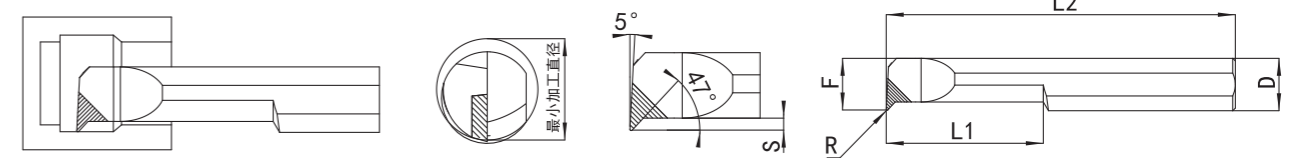
R:右 Right
L:左 Left
单位: mm
unit:mm

超硬系列

PCD CBN

PCD QR

仿形车削 Profiling and Boring



型号规格 Specifications	F	S	L1	R	L2	D	最小加工孔径 Min.Dia	PCD	
								R	L
PCD QR4 10L R0.1	3.8	0.8	10	0.1	50	D4	4.0	•	○
PCD QR4 10L R0.2				0.2				•	○
PCD QR5 15L R0.1	4.8	1.0	15	0.1	50	D5	5.0	•	○
PCD QR5 15L R0.2				0.2				•	○
PCD QR6 15L R0.1	5.8	1.0	15	0.1	50	D6	6.0	•	○
PCD QR6 15L R0.2				0.2				•	○
PCD QR8 25L R0.1	7.5	2.0	25	0.1	75	D8	8.0	•	○
PCD QR8 25L R0.2				0.2				•	○

●标准库存 Stock ○需预定 Available Upon Order

P	
M	
K	
N	▲
S	
H	

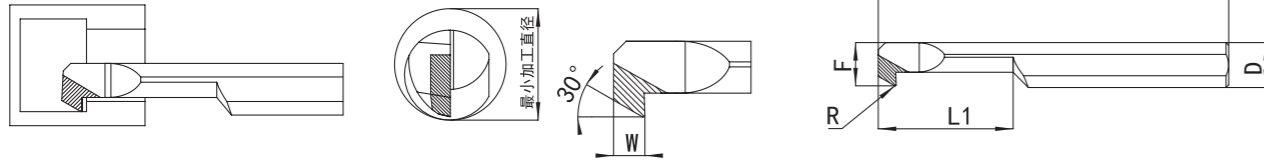
R:右 Right
L:左 Left
单位: mm
unit:mm

- P: 钢 Steel
- M: 不锈钢 Stainless steel
- K: 球墨铸铁 Ductile Cast Iron
- N: 有色金属/铝合金 Non-ferrous metal/Al-alloys
- S: 钛合金/高温合金 Titanium Alloys/High temp alloys
- H: 硬材料 Hardened materials
- ▲ 最适合 Most Suitable
- △ 适合 Suitabel

超硬系列
PCD CBN

PCD XR

反向镗削 Back Turning



型号规格 Specifications	F	W	S	L1	PCD		L2	D	最小加工孔径 Min.Dia
					R	L			
PCD XR4 10L R0.1	3.8	1.5	1.0	10	0.1	○	50	D4	4.0
PCD XR4 10L R0.2					0.2	○			
PCD XR5 15L R0.1	4.8	2.0	1.5	15	0.1	○	50	D5	5.0
PCD XR5 15L R0.2					0.2	○			
PCD XR6 20L R0.1	5.8	2.0	2.0	20	0.1	○	50	D6	6.0
PCD XR6 20L R0.2					0.2	○			
PCD XR8 30L R0.1	7.8	2.0	2.0	30	0.1	○	75	D8	8.0
PCD XR8 30L R0.2					0.2	○			

●标准库存 Stock ○需预定 Available Upon Order

P	
M	
K	
N	▲
S	
H	

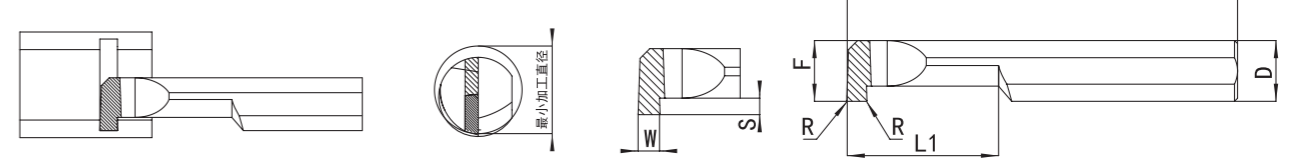
R:右 Right
L:左 Left
单位: mm
unit:mm

P:钢 Steel
M:不锈钢 Stainless steel
K:球墨铸铁 Ductile Cast Iron
N:有色金属/铝合金 Non-ferrous metal/Al-alloys
S:钛合金/高温合金 Titanium Alloys/High temp alloys
H:硬材料 Hardened materials
▲ 最适合 Most Suitable
△ 适合 Suitabel

超硬系列
PCD CBN

PCD WR

切槽 Grooving



型号规格 Specifications	W	S	L1	F	D	L2	最小加工孔径 Min.Dia	PCD	
								R	L
PCD WR4 10L W0.5	0.5	1.0	10	3.8	D4	50	4.0	●	○
PCD WR4 10L W0.8								●	○
PCD WR4 10L W1.0	1.0	1.5	10	4.8	D5	50	5.0	●	○
PCD WR4 10L W1.5								●	○
PCD WR5 10L W1.0	1.0	1.5	10	5.8	D6	50	6.0	●	○
PCD WR5 10L W1.2								●	○
PCD WR5 10L W1.5	1.5	2.0	10	7.8	D8	50	8.0	●	○
PCD WR5 10L W2.0								●	○
PCD WR6 12L W1.0	1.0	2.0	12	5.8	D6	50	6.0	●	○
PCD WR6 12L W1.5								●	○
PCD WR6 12L W2.0	2.0	2.5	16	7.8	D8	50	8.0	●	○
PCD WR6 16L W2.5								●	○
PCD WR8 16L W1.0	1.0	3.0	16	7.8	D8	50	8.0	●	○
PCD WR8 16L W1.5								●	○
PCD WR8 16L W2.0	2.0	2.5	16	7.8	D8	50	8.0	●	○
PCD WR8 16L W2.5								●	○

●标准库存 Stock ○需预定 Available Upon Order

P	
M	
K	
N	▲
S	
H	

R:右 Right
L:左 Left
单位: mm
unit:mm

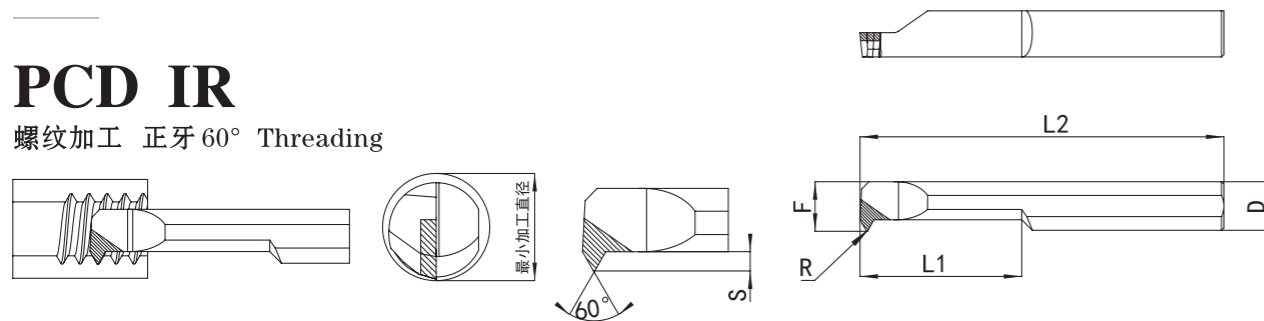
P:钢 Steel
M:不锈钢 Stainless steel
K:球墨铸铁 Ductile Cast Iron
N:有色金属/铝合金 Non-ferrous metal/Al-alloys
S:钛合金/高温合金 Titanium Alloys/High temp alloys
H:硬材料 Hardened materials
▲ 最适合 Most Suitable
△ 适合 Suitabel

超硬系列

PCD CBN

PCD IR

螺纹加工 正牙 60° Threading



型号规格 Specifications	F	L1	S	D	L2	最小加工孔径 Min.Dia	PCD	
							R	L
PCD IR3 12L A60	3.0	12	0.8	D4	50	3.5	•	○
PCD IR4 15L A60	3.8	15	1.0	D4	50	4.5	•	○
PCD IR5 22L A60	4.8	22	1.5	D5	50	5.5	•	○
PCD IR6 22L A60	5.8	22	1.8	D6	50	6.5	•	○
PCD IR8 22L A60	7.8	22	2.2	D8	75	8.5	•	○

●标准库存 Stock ○需预定 Available Upon Order

P	
M	
K	
N	▲
S	
H	

R:右 Right
L:左 Left
单位: mm
unit:mm

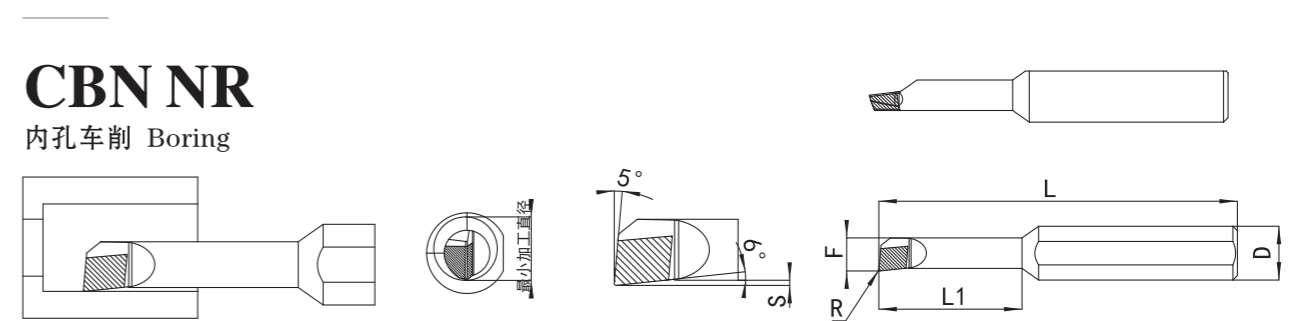
- P: 钢 Steel
- M: 不锈钢 Stainless steel
- K: 球墨铸铁 Ductile Cast Iron
- N: 有色金属/铝合金 Non-ferrous metal/Al-alloys
- S: 钛合金/高温合金 Titanium Alloys/High temp alloys
- H: 硬材料 Hardened materials
- ▲ 最适合 Most Suitable
- △ 适合 Suitabel

超硬系列

PCD CBN

CBN NR

内孔车削 Boring



型号规格 Specifications	F	S	L1	L	R	D	最小加工孔径 Min.Dia	PCD	
								R	L
CBN NR2.5 7L R0.2-D6	2.3	0.2	7	50	0.2	D6	2.5	•	○
CBN NR3 10L R0.2-D6	2.7	0.3	10	50	0.2	D6	3.0	•	○
CBN NR3.5 12L R0.2-D6	3.2	0.3	12	50	0.2	D6	3.5	•	○
CBN NR4 15L R0.2-D6	3.7	0.3	15	50	0.2	D6	4.0	•	○
CBN NR4.5 20L R0.2-D6	4.2	0.3	20	50	0.2	D6	4.5	•	○
CBN NR5 20L R0.2-D8	4.7	0.3	20	50	0.2	D8	5.0	•	○
CBN NR6 20L R0.2-D6	5.7	0.3	20	50	0.2	D8	6.0	•	○
CBN NR7 25L R0.2-D8	6.5	0.3	25	50	0.2	D8	7.0	•	○
CBN NR8 25L R0.2-D8	7.5	0.3	25	50	0.2	D8	8.0	•	○

●标准库存 Stock ○需预定 Available Upon Order

P	
M	
K	
N	
S	
H	▲

R:右 Right
L:左 Left
单位: mm
unit:mm

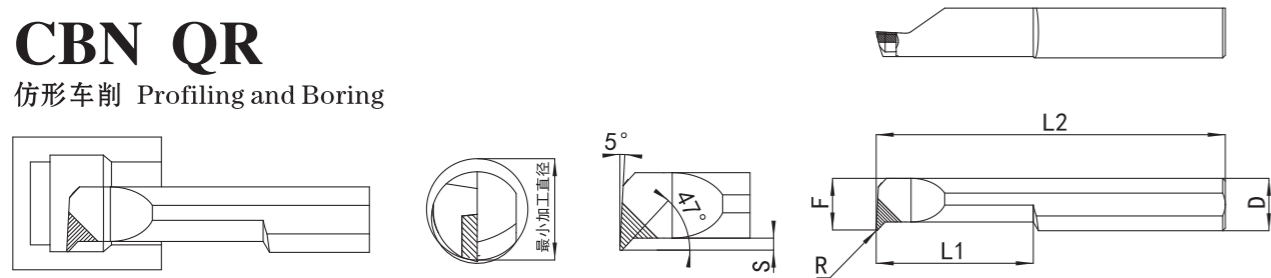
- P: 钢 Steel
- M: 不锈钢 Stainless steel
- K: 球墨铸铁 Ductile Cast Iron
- N: 有色金属/铝合金 Non-ferrous metal/Al-alloys
- S: 钛合金/高温合金 Titanium Alloys/High temp alloys
- H: 硬材料 Hardened materials
- ▲ 最适合 Most Suitable
- △ 适合 Suitabel

超硬系列

PCD CBN

CBN QR

仿形车削 Profiling and Boring



型号规格 Specifications	F	S	L1	PCD		最小加工孔径 Min.Dia
				R	L	
CBN QR4 10L R0.1	3.8	0.8	10	0.1	○	4.0
CBN QR4 10L R0.2				0.2	○	
CBN QR5 15L R0.1	4.8	1.0	15	0.1	○	5.0
CBN QR5 15L R0.2				0.2	○	
CBN QR6 15L R0.1	5.8	1.0	15	0.1	○	6.0
CBN QR6 15L R0.2				0.2	○	
CBN QR8 25L R0.1	7.5	2.0	25	0.1	○	8.0
CBN QR8 25L R0.2				0.2	○	

●标准库存 Stock ○需预定 Available Upon Order

P	
M	
K	
N	
S	
H	▲

R:右 Right
L:左 Left
单位: mm
unit:mm

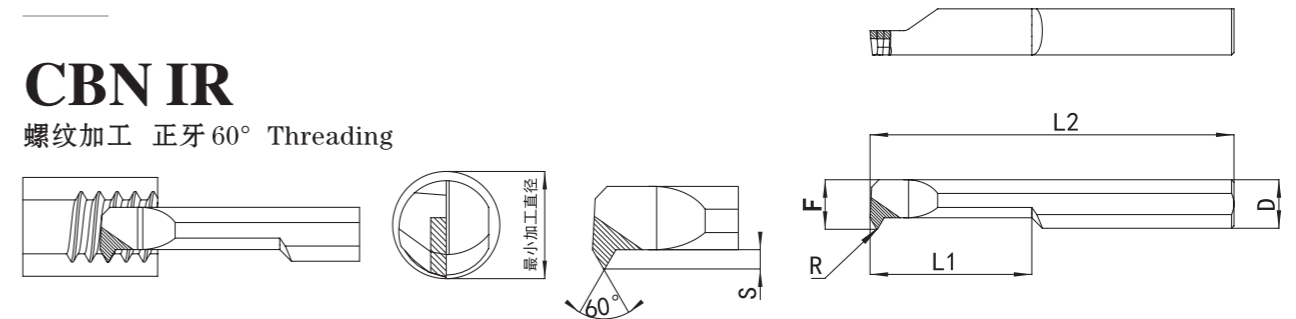
- P: 钢 Steel
- M: 不锈钢 Stainless steel
- K: 球墨铸铁 Ductile Cast Iron
- N: 有色金属/铝合金 Non-ferrous metal/Al-alloys
- S: 钛合金/高温合金 Titanium Alloys/High temp alloys
- H: 硬材料 Hardened materials
- ▲ 最适合 Most Suitable
- △ 适合 Suitabel

超硬系列

PCD CBN

CBN IR

螺纹加工 正牙 60° Threading



型号规格 Specifications	F	L1	S	D	L2	最小加工孔径 Min.Dia	PCD	
							R	L
CBN IR3 12L A60	3.0	12	0.8	D4	50	3.5	●	○
CBN IR4 15L A60	3.8	15	1.0	D4	50	4.5	●	○
CBN IR5 22L A60	4.8	22	1.5	D5	50	5.5	●	○
CBN IR6 22L A60	5.8	22	1.8	D6	50	6.5	●	○
CBN IR8 22L A60	7.8	22	2.2	D8	75	8.5	●	○

●标准库存 Stock ○需预定 Available Upon Order

P	
M	
K	
N	
S	
H	▲

R:右 Right
L:左 Left
单位: mm
unit:mm

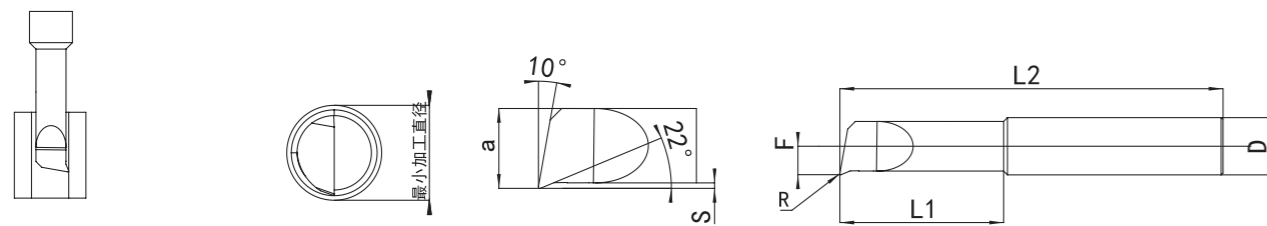
- P: 钢 Steel
- M: 不锈钢 Stainless steel
- K: 球墨铸铁 Ductile Cast Iron
- N: 有色金属/铝合金 Non-ferrous metal/Al-alloys
- S: 钛合金/高温合金 Titanium Alloys/High temp alloys
- H: 硬材料 Hardened materials
- ▲ 最适合 Most Suitable
- △ 适合 Suitabel

小孔径微调精镗刀

Small Micro-adjustable Fine Boring Tools

SBJ

内孔车削 Boring



型号规格 Specifications	a	F (-0.02)	R	L1	D	L	T10
SBJ1.5 5L R0.1-D4	1.3	0.73	0.1	5	D4	50	•
SBJ2 8L R0.1-D4	1.7	0.98	0.1	8	D4	50	•
SBJ2.5 8L R0.1-D4	2.2	1.23	0.1	8	D4	50	•
SBJ3 12L R0.1-D6	2.7	1.48	0.1	12	D6	50	•
SBJ3.5 15L R0.1-D6	3.2	1.73	0.1	15	D6	50	•
SBJ4 15L R0.1-D6	3.7	1.98	0.1	15	D6	50	•
SBJ4.5 18L R0.1-D6	4.2	2.23	0.1	18	D6	50	•
SBJ5 22L R0.1-D6	4.6	2.48	0.1	22	D6	50	•
SBJ6 25L R0.1-D6	5.6	2.98	0.1	25	D6	50	•
SBJ8 35L R0.1-D8	7.6	3.98	0.1	35	D8	75	•

● 标准库存 Stock ○ 需预定 Available Upon Order

P	▲
M	▲
K	△
N	△
S	△
H	△

单位: mm
unit: mm

P: 钢 Steel

M: 不锈钢 Stainless steel

K: 球墨铸铁 Ductile Cast Iron

N: 有色金属/铝合金 Non-ferrous metal/Al-alloys

S: 钛合金/高温合金 Titanium Alloys/High temp alloys

H: 硬材料 Hardened materials

▲ 最适合 Most Suitable

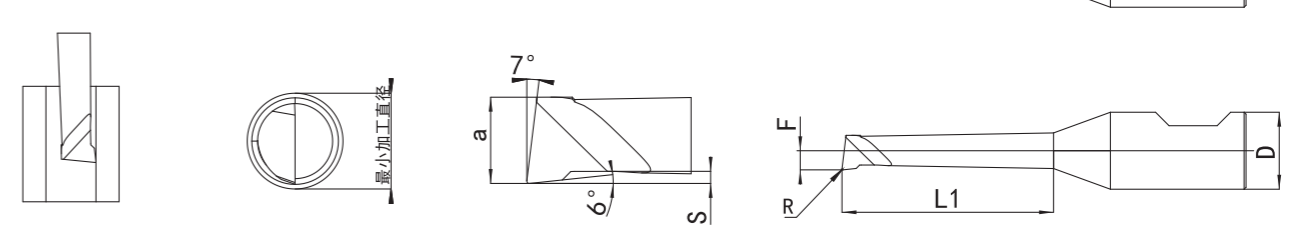
△ 适合 Suitabel

小孔径微调精镗刀

Small Micro-adjustable Fine Boring Tools

CA

内孔车削 Boring



型号规格 Specifications	a	F (-0.03)	R	L1	D	T10
CA2 9L R0.1-D8	1.8	1	0.1	9	8	•
CA3 16L R0.1-D8	2.6	1.5	0.1	16	8	•
CA4 22L R0.1-D8	3.6	2	0.1	22	8	•
CA5 27L R0.1-D8	4.4	2.5	0.1	27	8	•
CA6 32L R0.1-D8	5.2	3	0.1	32	8	•
CA7 37L R0.1-D8	6.2	3.5	0.1	37	8	•
CA8 42L R0.1-D8	7	4	0.1	42	8	•

● 标准库存 Stock ○ 需预定 Available Upon Order

P	▲
M	▲
K	△
N	△
S	△
H	△

单位: mm
unit: mm

P: 钢 Steel

M: 不锈钢 Stainless steel

K: 球墨铸铁 Ductile Cast Iron

N: 有色金属/铝合金 Non-ferrous metal/Al-alloys

S: 钛合金/高温合金 Titanium Alloys/High temp alloys

H: 硬材料 Hardened materials

▲ 最适合 Most Suitable

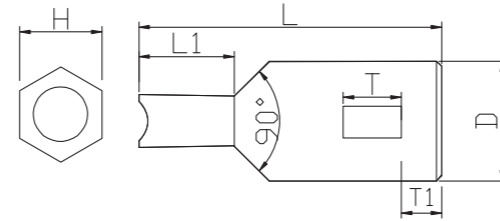
△ 适合 Suitabel

六角冲头

Hexagonal punch

成型冲头

Forming Punch

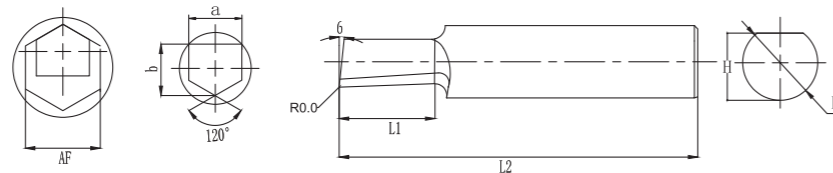


型号规格 Specifications	H	L1	L	T1	T	D	对应六角扳手 Corresponding to the hexagon wrench	材质 Material	
								钨钢 Tungsten steel	白钢 M42
对边2.05-D8	2.05	4.0	28.1	2.0	6.5	D8	M2.0	●	●
对边3.05-D8	3.05	5.5					M3.0	●	●
对边4.05-D8	4.05	7.0					M4.0	●	●
对边5.05-D8	5.05	8.5					M5.0	●	●
对边6.05-D8	6.05	10.0					M6.0	●	●
对边8.05-D8	8.05	13.0					M8.0	●	●
对边2.55-D8	2.55	4.5					M2.5	●	●
对边3.55-D8	3.55	6.5					M3.5	●	●
对边4.55-D8	4.55	7.5					M4.5	●	●
对边5.55-D8	5.55	9.5					M5.5	●	●
对边3.2-D8	3.2	6.0					M1/8	●	●
对边4.8-D8	4.8	8.0					M3/16	●	●
对边6.4-D8	6.4	10.0					M1/4	●	●

●标准库存 Stock ○需预定 Available Upon Order

单角冲头

Single Angle Punch



型号规格 Specifications	加工基准对边 Benchmark Af (mm)	加工可能对边 Maybe Af (mm)	Af (mm)	L1	a	b	L2	D	H	材质 Material
										钨钢 Tungsten steel
030N 1130H	HEX1.5	HEX1.5-2.0	1.4-2.0	3.0	1.1	0.8	50	D3	2.8	●
030N 1430H	HEX2.0	HEX2.0-2.5	1.9-2.6	3.0	1.4	1.1	50	D3	2.8	●
030N 1940H	HEX3.0	HEX2.5-3.5	2.4-3.6	4.0	1.9	1.6	50	D3	2.8	●
040N 2450H	HEX4.0	HEX3.5-4.5	3.4-4.6	5.0	2.4	2.6	50	D4	3.8	●
050N 3260H	HEX5.0	HEX4.5-6.0	4.4-6.2	6.0	3.2	3.4	50	D5	4.8	●
060N 42120H	HEX6.0	HEX6.0-8.0	5.9-8.2	12.0	4.2	4.0	50	D6	5.6	●
080N 62160H	HEX8.0	HEX8.0-12.0	7.9-12.2	16.0	6.2	4.7	50	D8	7.5	●

●标准库存 Stock ○需预定 Available Upon Order